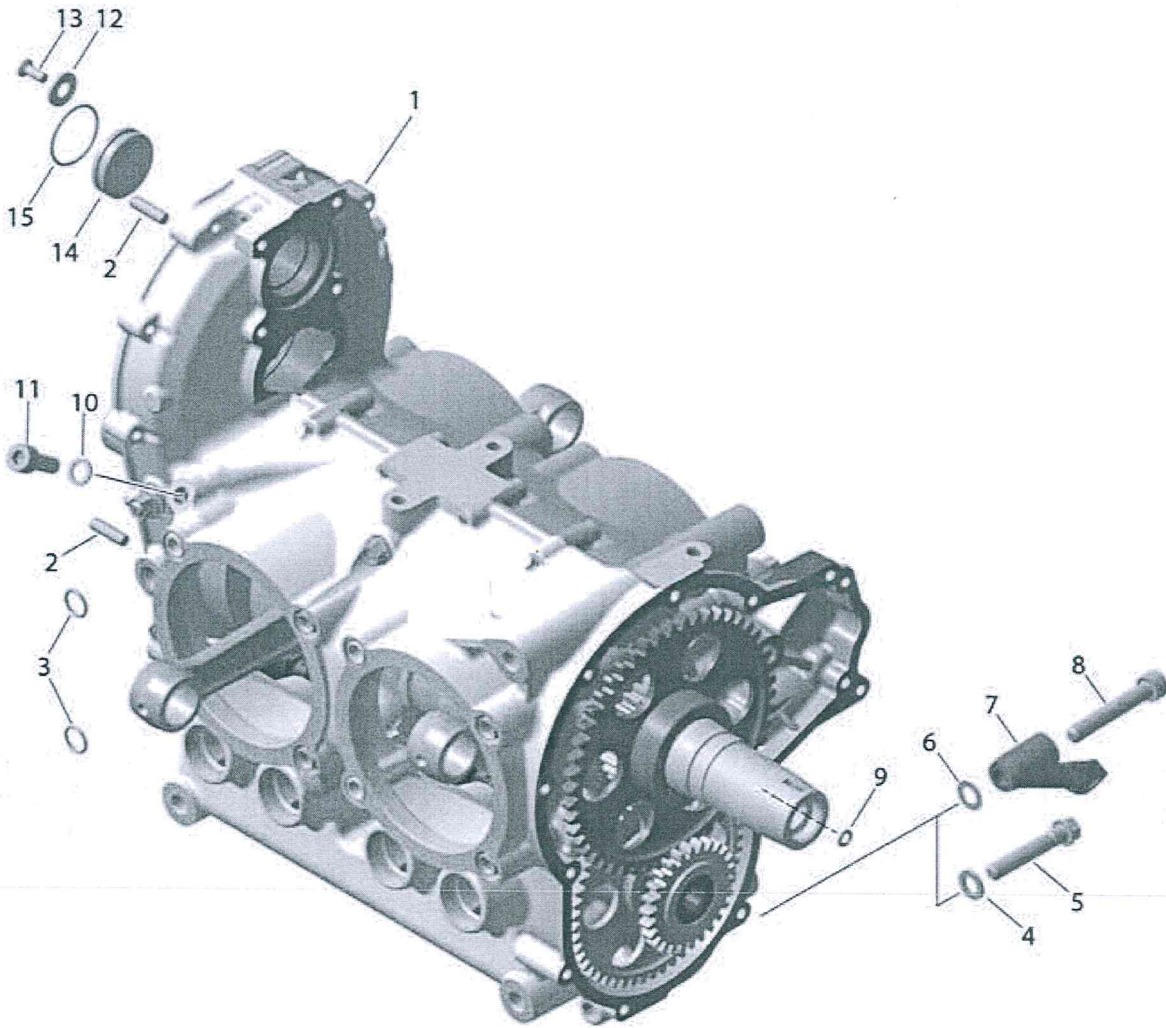


BRP-Rotax
ILLUSTRATED PARTS CATALOG



AE 2_0409

Fig. 72-20-00-1