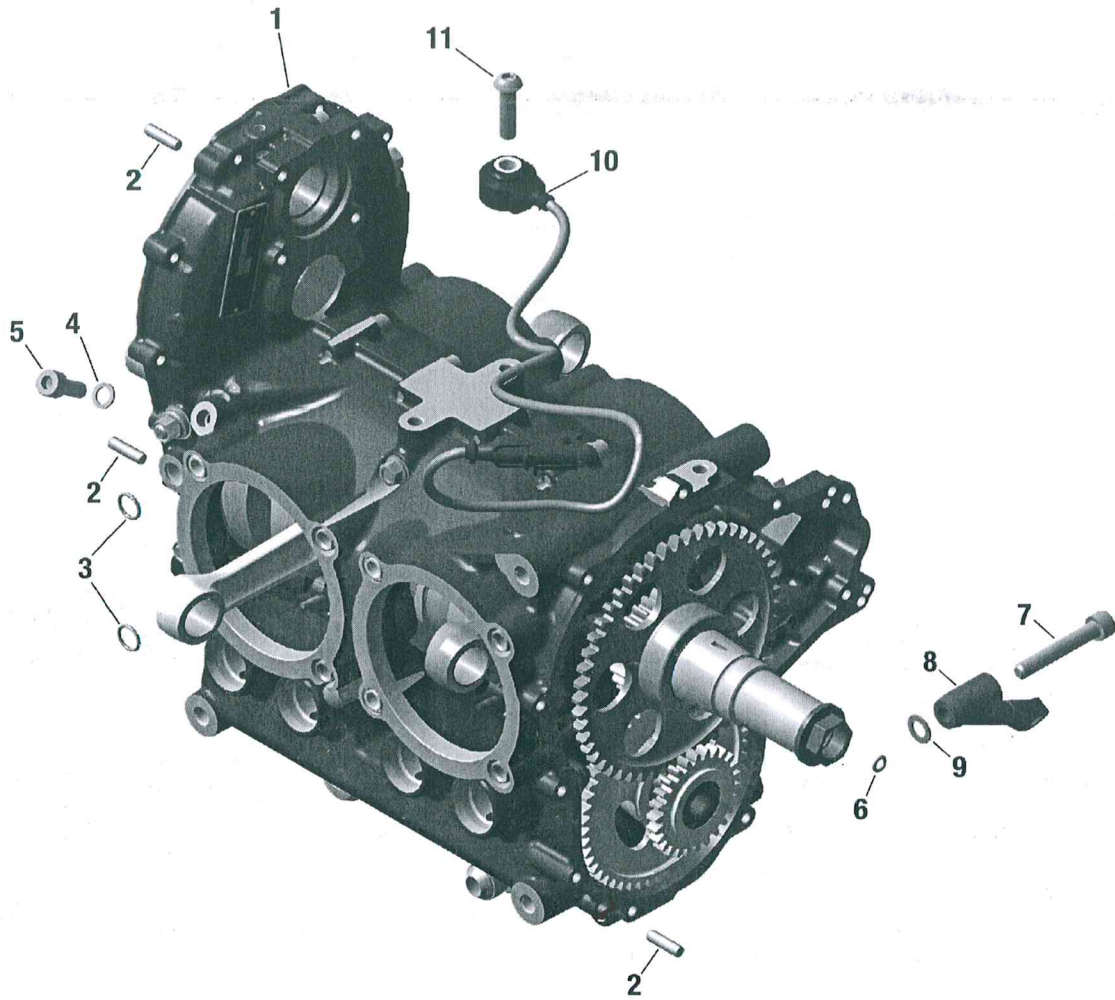


BRP-Rotax
ILLUSTRATED PARTS CATALOG

CRANKCASE



AE 5iS_0258

Figure 7.1: 72-20-00

72-20-00

Page 2
December 01 2017

Effectivity: 915 i A Series
Edition 0/Rev. 0