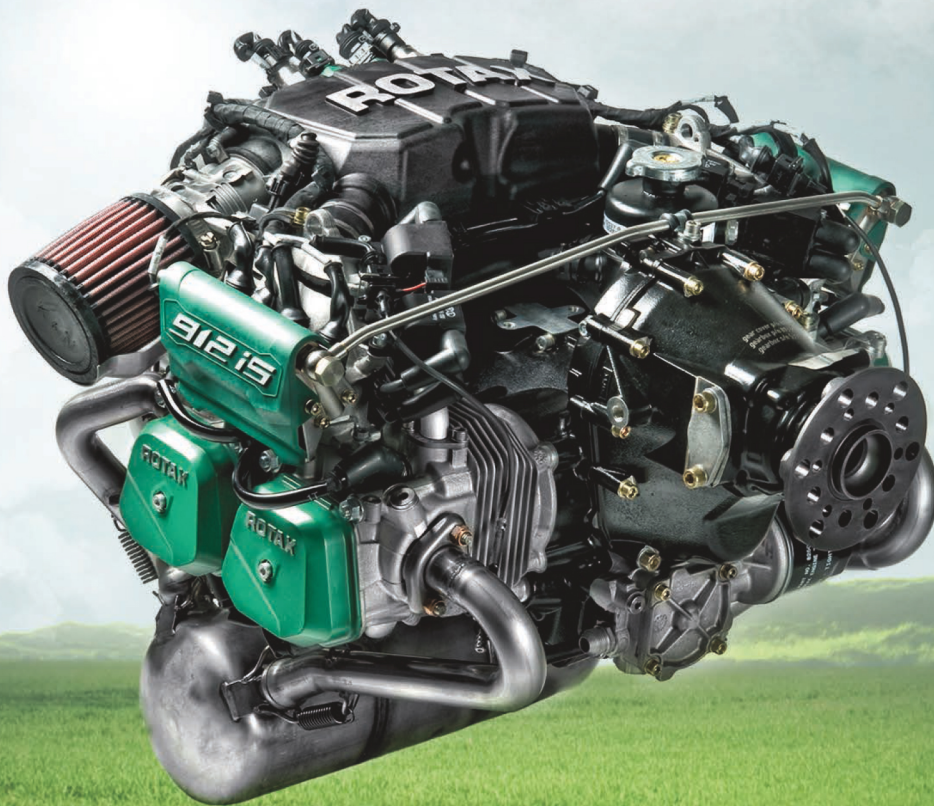


ILLUSTRATED PARTS CATALOG

FOR ROTAX[®] ENGINE TYPE 912 i SERIES



These technical data and the information contained therein are property of BRP-Rotax GmbH&CO. KG and must not be reproduced, neither entirely nor partially, and passed on to third parties without previous consent in writing by BRP-Rotax GmbH&CO. KG.
This text must be written on every complete or partial reproduction.

BRP-Rotax
ILLUSTRATED PARTS CATALOG

Chapter) / TOC
TABLE OF CONTENT

Table of content	TOC
List of effective pages	LEP
Table of amendments	TOA
00-00-00	
General note	Page 1
Explanation	Page 2
Parts order	Page 2
Engine view and denomination of the cylinders.....	Page 3
Repeating symbols	Page 3
Structure	Page 4
Repair tools.....	Page 6
Lubricant tools	Page 16
Documentation, Gasket Set.....	Page 19
24-20-00	
Ignition housing, Stator, Rectifier regulator, Crankshaft position sensor	Page 3
24-30-00	
External Generator F3A (all parts optional)	Page 3
37-10-00	
Vacuum pump with drive (all parts optional).....	Page 3
61-20-00	
Hydr. governor arrangement for constant speed propeller (optional)	Page 3
71-20-00	
Engine suspension frame	Page 3
72-10-00	
Propeller gear assy with overload clutch	Page 3
Overload clutch	Page 7
72-20-00	
Crankcase.....	Page 3
Crankshaft, Piston, Cylinder, Sprag clutch	Page 11

d06280.fm

BRP-Rotax

ILLUSTRATED PARTS CATALOG

Camshaft, Valvetrain, Cylinder head, Valve cover Page 13

73-10-00

Intake manifold, Airbox, Throttle body socket assy..... Page 3
Fuel injector, Fuel rail, Fuel pressure regulator..... Page 11
Fuel pump assy. cover Page 15

74-20-00

Ignition coils, Ignition cable, Spark plug connector, Spark plug Page 3

75-20-00

Water pump with drive Page 3
Expansion tank with hoses and connections Page 5
Cooling air baffle, Overflow bottle with cap, Radiator Page 7

76-10-00

Engine control unit, Fuse Box, Rectifier regulator..... Page 3

76-50-00

Wiring harness Page 3

78-10-00

Exhaust system, Exhaust temperature sensor..... Page 3
Exhaust system (standard) Page 5

79-20-00

Oil tank Page 3
Oil pump assy., Oil filter, Oil temperature sensor,
Oil pressure sensor Page 5
Oil radiator..... Page 9

80-10-00

Electric starter, Starter relay..... Page 3
E-Starter single parts Page 5

d06280.fm

BRP-Rotax

ILLUSTRATED PARTS CATALOG

Chapter) 00-00-00

GENERAL NOTE

Modification

The information and components-/system descriptions contained in this Illustrated Parts Catalog are correct at the time of publication. BRP-Rotax, however, maintains a policy of continuous improvement of its products without imposing upon itself any obligation to install them on its products previously manufactured. BRP-Rotax reserves the right at any time to discontinue or change specification, designs, features, models or equipment without incurring obligation.

Note

This Illustrated Parts Catalog is not an offer to sell parts, but a catalog illustrating the parts available at ROTAX® authorized distributors. BRP-Rotax reserves the right to deliver the components (crankshaft, crankcase, special tools etc.) only to organisations with respective qualifications.

Color variations

Color variations on unpainted castings:

On unpainted surfaces (i.e. aluminium cases) minor color variations (i.e. grey tone on aluminum surface) are possible due to the manufacturing process. Such possible color variations do not affect the quality of the product and are no reason for rejection - even a color variation on castings in differing areas is acceptable.

Tightening torque

Generally all the fasteners on a ROTAX® engine are tightened with a torque wrench. The tightening torque must always be done according to the content of the latest Maintenance Manual Heavy for the respective engine type.

Revisions

This Illustrated Parts Catalog (IPC) will be revised once a year or as required.

NOTES: Date of issue or number of revision is printed on cover and bottom end of page.

BRP-Rotax

ILLUSTRATED PARTS CATALOG

1) Introduction

1.1) Explanation

As obvious from the cover, this Illustrated Parts Catalog covers the current aircraft engines ROTAX® 912 i. Certified and non-certified versions are available.

Besides the engine-specific parts, the most popular accessories are listed too.

Certification

The **ROTAX®** engine of the type **912 iSc Sport** has been certified in accordance with EASA CS-E.

The following **ROTAX®** engine is non-certified:

ROTAX® 912 iS, 912 iS Sport

1.2) Parts order

At a parts order for a certified engine, state details of application e.g. 912 iSc Sport certified to EASA CS-E.

For these parts an Authorized Release Certificate (FORM ONE TAG, see sample below) will be issued. For parts volume see enclosed packing slip.

Formtag Nr.: 17-046P-22.09.2016		
1. Approving Competent Authority/Country Austro Control GmbH	2. AUTHORISED RELEASE CERTIFICATE EASA FORM 1	3. Form Tracking Number
4. Approved Organisation Name and Address: ROTAX BRP-Powertrain GmbH & Co KG A-4623 Gurskirchen, Austria Welserstraße 32		5. Work Order/Contract/Invoice Delivery Note Date
6. Item	7. Description	8. Part No.
		9. Qty.
		10. Serial-No.
		11. Status/Work
12. Remarks		
<p>Next overhaul after <input type="text"/> h or <input type="text"/> years of first operation</p> <p>Service Bulletin optional: <input type="text"/> Service Bulletin effect: <input type="text"/></p> <p>Service Bulletin not applic.: <input type="text"/></p>		
Displayed for: Limited life parts will normally be accompanied by maintenance history including life used		
13a. Certifies that the items identified above were manufactured in conformity to: <input checked="" type="checkbox"/> approved design data and are in condition for safe operation <input type="checkbox"/> non-approved design data specified in block 12		14a. <input type="checkbox"/> Part-145.A.50 Release to Service <input type="checkbox"/> Other Regulation specified in block 12 Certifies that unless otherwise specified in block 12, the work identified in block 11 and reflected in block 12, was accomplished in accordance with Part 145 and in respect to that work the items are considered ready for release to service
13b. Authorised Signature	13c. Approval/Authorisation Number AT.21G.0006	14b. Authorised Signature
13d. Name	13e. Date (dd mm yyyy)	14c. Certificate/Approval Ref. No.
EASA Form 1 - 01 Issue 2		Regarding User/Installer responsibilities, Import/Storage requirements please see reverse side

06389

Engine serial number

On all enquiries or spare part orders, always indicate engine serial number, as the manufacturer makes modification to engine for further development.

The engine serial number (1) is located on top of the crankcase, behind of the propeller gearbox. See [Fig 1](#).

BRP-Rotax

ILLUSTRATED PARTS CATALOG

1.3) Engine view and denomination of the cylinders

PTO	power take off side
MAG	magneto side
Cyl. 1	Cylinder 1
Cyl. 2	Cylinder 2
Cyl. 3	Cylinder 3
Cyl. 4	Cylinder 4

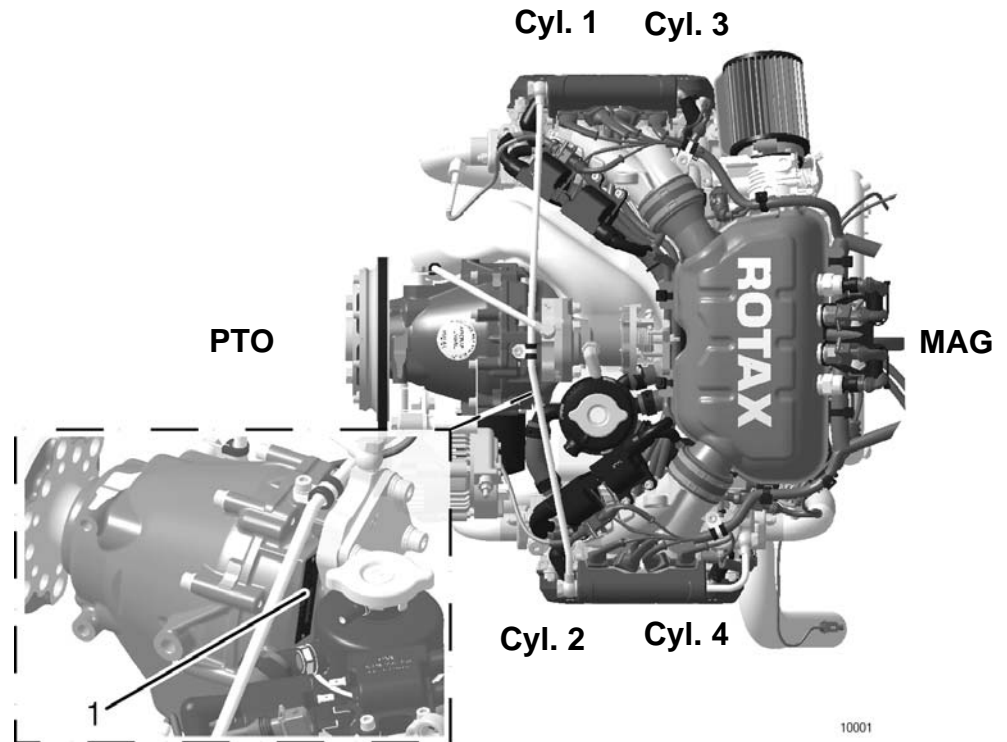


Fig 1

1.4) Repeating symbols

Safety notice

This catalog uses the following symbols to emphasize particular information. These indications are important and must be respected.



Identifies an instruction which, if not followed, may cause serious injury including the possibility of death.

d06281.fm

BRP-Rotax

ILLUSTRATED PARTS CATALOG



Identifies an instruction which, if not followed, may cause minor or moderate injury.

NOTICE

Denotes an instruction which, if not followed, may severely damage the engine or other component.

NOTES: **Indicates supplementary information which may be needed to fully complete or understand an instruction.**



In illustrations this sign indicates you the position of the current serial number (e.g. on crankshaft, camshaft, etc.)



A revision bar outside of the page margin indicates a change to text or graphic.

1.5) Structure

Exploded view

Each section starts with an exploded view of the type 912 iSc on the left side. The corresponding heading and the listing of the parts is on the right side and the following pages.

The numbering on the exploded view is in the sequence of assembly as good as practicable.

For prevention of errors and to simplify exchange we tried best to list the part number of each component only once. But for better understanding components are frequently depicted without being listed, but referred to a respective section, if considered necessary.

Engine-column

For each engine type the right amount of spare parts per engine is listed in the relevant engine-column.

If the quantity is in brackets it indicates that the part is not absolutely necessary but optional on the respective engine type.

A small letter added to the number refers to information at the end of the section.

No number in the column parts per assembly indicates that this part is not planned for the respective engine.

Status

In the column "status" find the following statement:

N	newly introduced part
s.v.	still valid, part was replaced by compatible component and can not be supplied any longer by the producer. Existing stock may be used.
n.a.	not available
AR	as required

BRP-Rotax

ILLUSTRATED PARTS CATALOG

FIG. & ITEM No.	STATUS	PART No.	INDENT	Description	PARTS PER ENGINE	
					912 iSc	912 iS
1 1	N	910899	.1	FUEL PUMP ASSY	1a	1
1	s.v.	910898	.1	FUEL PUMP ASSY	(1)	1
2	n.a.	440042	.2	ALLEN SCREW M8x15	2	A.R.

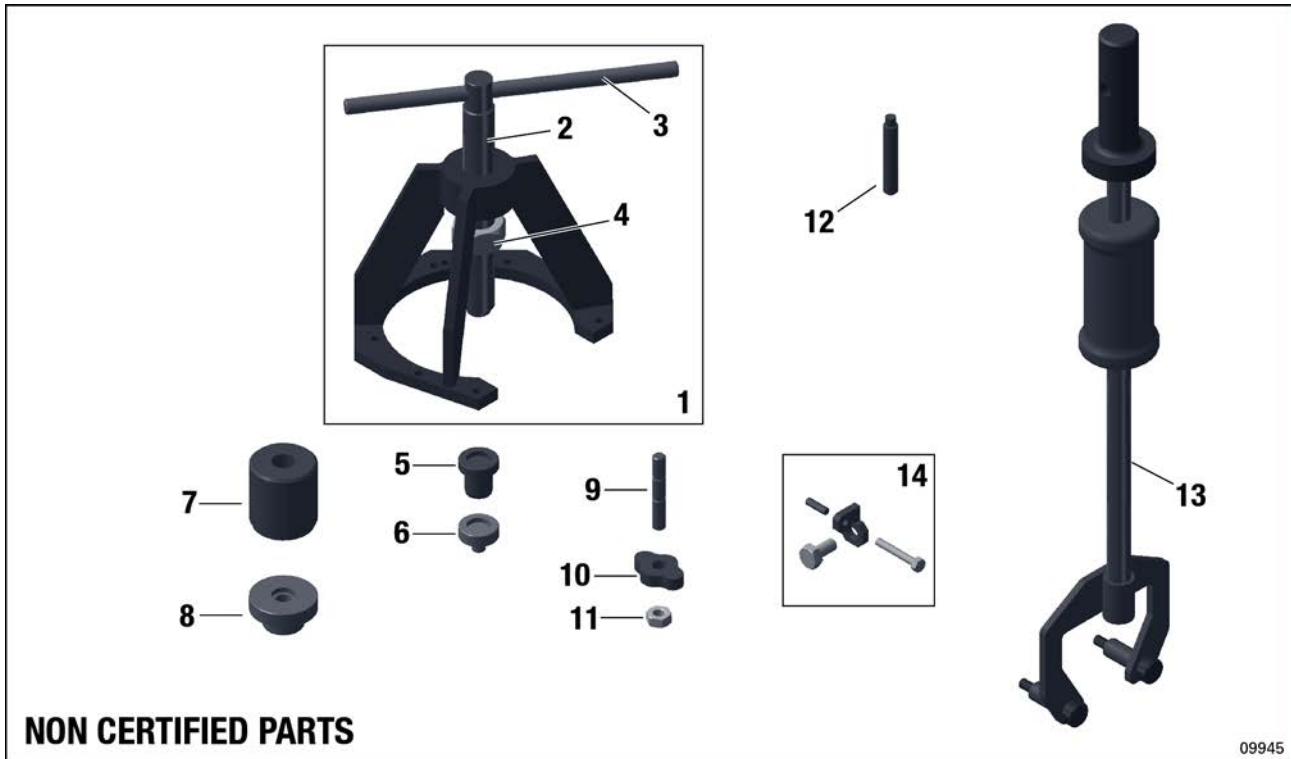
Fig 2

06299

d06281.fm

BRP-Rotax
ILLUSTRATED PARTS CATALOG

REPAIR TOOLS



ITEM NO.	Application	ITEM NO.	Application
1-4	Roller bearing 25x25x15, oil seal 30x52x7	9	Roller bearing 25x52x15, oil seal 30x52x7
5	Prop shaft version 2	10-11	Roller bearing 25x52x15, oil seal 30x52x7, oil inlet cover
6	Prop shaft version 3	12	Crankshaft locking screw M8x50
7	Roller bearing 25x52x15, oil seal 30x52x7, version 2	13-14	Gearbox
8	Roller bearing 25x52x15, oil inlet flange version 3		

BRP-Rotax
ILLUSTRATED PARTS CATALOG
REPAIR TOOLS

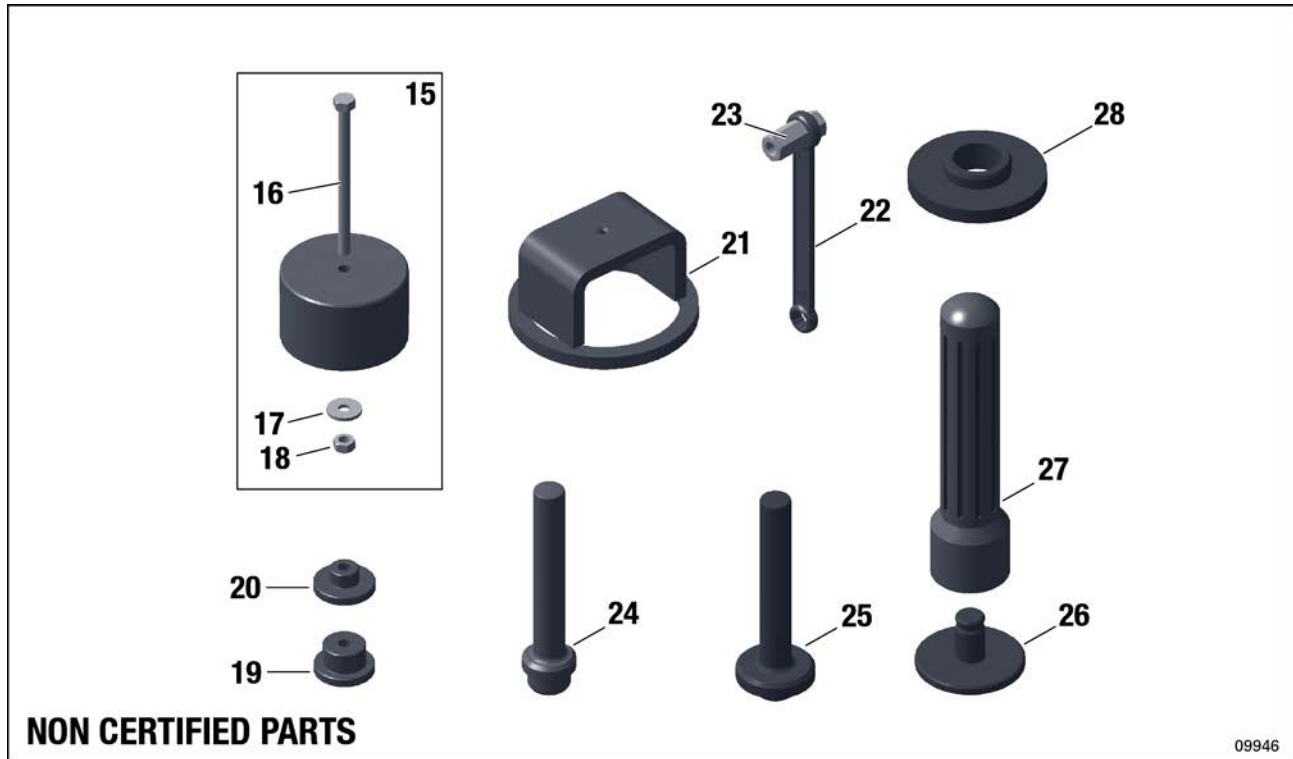
FIG. & ITEM NO.	STATUS	PART NO.	INDENT	Description	Parts per Engine		
					912 iS	912 iSc Sport	912 iS Sport
1-4		877615	.1	EXTRACTOR ASSY.	1	1	1
2		877580	..2	PULL -IN SPINDLE M24x1.5	1	1	1
3		276155	..2	BOLT 12X250	1	1	1
4		842585	..2	HEX.SCREW M24X1.5 - 19MM	1	1	1
5		877605	.1	PRESS-OUT MUSHROOM	1	1	1
6		877600	.1	PRESS-OUT MUSHROOM	1	1	1
7		877594	.1	PRESS-IN MUSHROOM	1	1	1
8		877590	.1	PRESS-IN MUSHROOM	1	1	1
9		941180	.1	STUD M10X45/20	1	1	1
10		877561	.1	PULL-OUT PLATE	1	1	1
11		242091	.1	HEX. NUT M10	1	1	1
12		240880	.1	THREAD BOLT M8x50			
13		877660	.1	PULLER ASSY.	1	1	1
14		877540	.1	PUSHING JIG ASSY.	1	1	1

- Items not illustrated

d06281.fm

BRP-Rotax
ILLUSTRATED PARTS CATALOG

REPAIR TOOLS



ITEM NO.	Application	ITEM NO.	Application
15-18	Ball bearing 15x32x8, Oil inlet flange, oil inlet cover	24	Ball bearing 15x32x8, needle sleeve-vacuum pump
19	Needle bearing 22x28x12-vacuum pump	25	Oil seal 22x32x7 vacuum pump
20	Ball bearing 15x32x8-vacuum pump	26	Oil seal 40x55x7 gear box cover
21	Mounting yoke, gearbox components	27	Stamp
22	Ring wrench 10/13	28	Ball bearing 35-72-17, propeller shaft
23	Fixture for vacuum pump drive		

BRP-Rotax

ILLUSTRATED PARTS CATALOG

REPAIR TOOLS

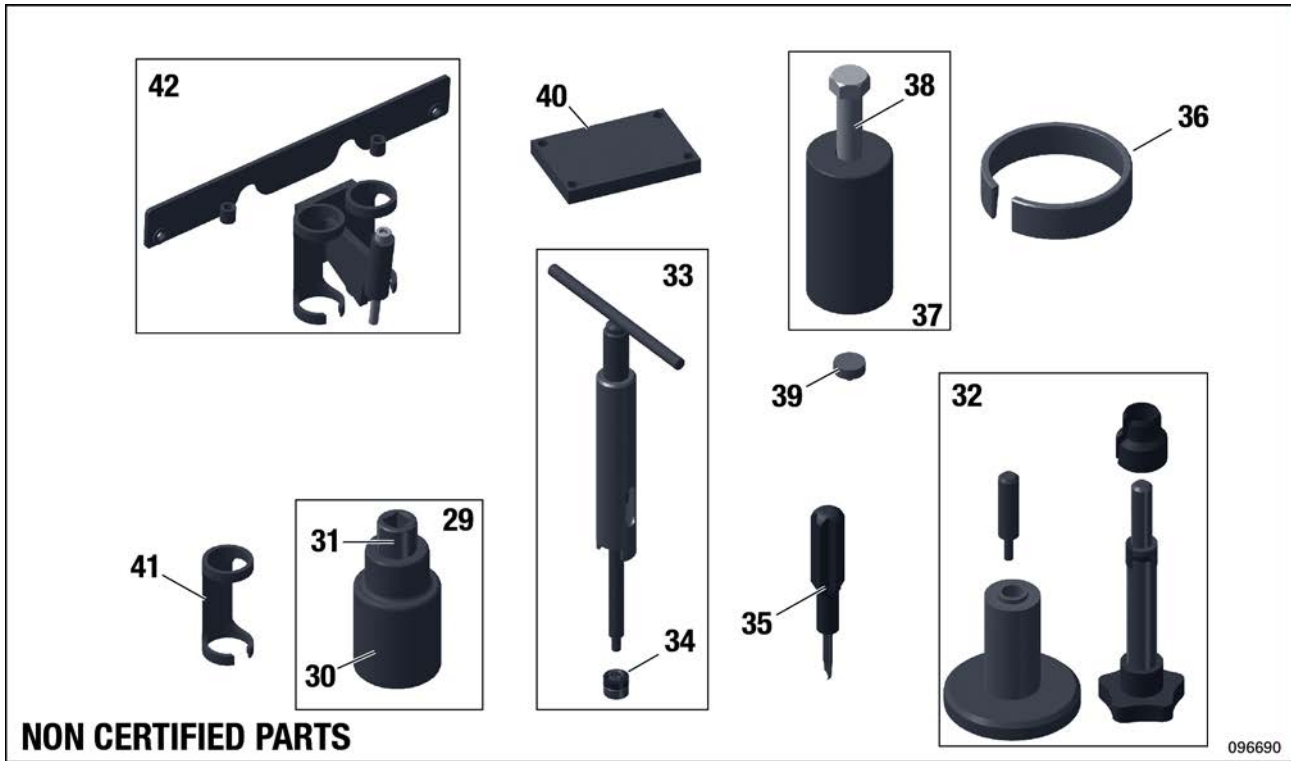
FIG. & ITEM NO.	STATUS	PART NO.	INDENT	Description	Parts per Engine		
					912 iS	912 iSc Sport	912 iS Sport
15-18		876489	.1	PULLER ASSY.	1	1	1
16		941730	..2	HEX.SCREW M6X80	1	1	1
17		827305	..2	WASHER 6.2/18/2	1	1	1
18		242211	..2	HEX.NUT M6	1	1	1
19		877597	.1	PRESS-IN MUSHROOM	1	1	1
20		877595	.1	PRESS-IN MUSHROOM	1	1	1
21		876885	.1	MOUNTING YOKE	1	1	1
22		876470	.1	RING SPANNER 10/13	1	1	1
23		242661	.1	DISTANCE NUT M8X33	1	1	1
24		276332	.1	INSERTION JIG ASSY.	1	1	1
25		877276	.1	INSERTION JIG ASSY.	1	1	1
26		876518	.1	INSERTION JIG	1	1	1
27		877650	.1	HANDLE FOR INSERTION JIG	1	1	1
28		877320	.1	PRESS-IN RING	1	1	1

- Items not illustrated

d06281.fm

BRP-Rotax
ILLUSTRATED PARTS CATALOG

REPAIR TOOLS



ITEM NO.	Application	ITEM NO.	Application
29-31	Drive gear, gearbox, gear set	37-38	Puller Magneto hub
32	Fitting of piston pin circlips	39	Crankshaft magneto side
33-34	Fitting and removal of piston pin	40	To align cylinders
35	Mono hook clips puller	41-42	Installation/Removal of valve spring
36	Piston diameter 84 mm/33 in.		

BRP-Rotax

ILLUSTRATED PARTS CATALOG

REPAIR TOOLS

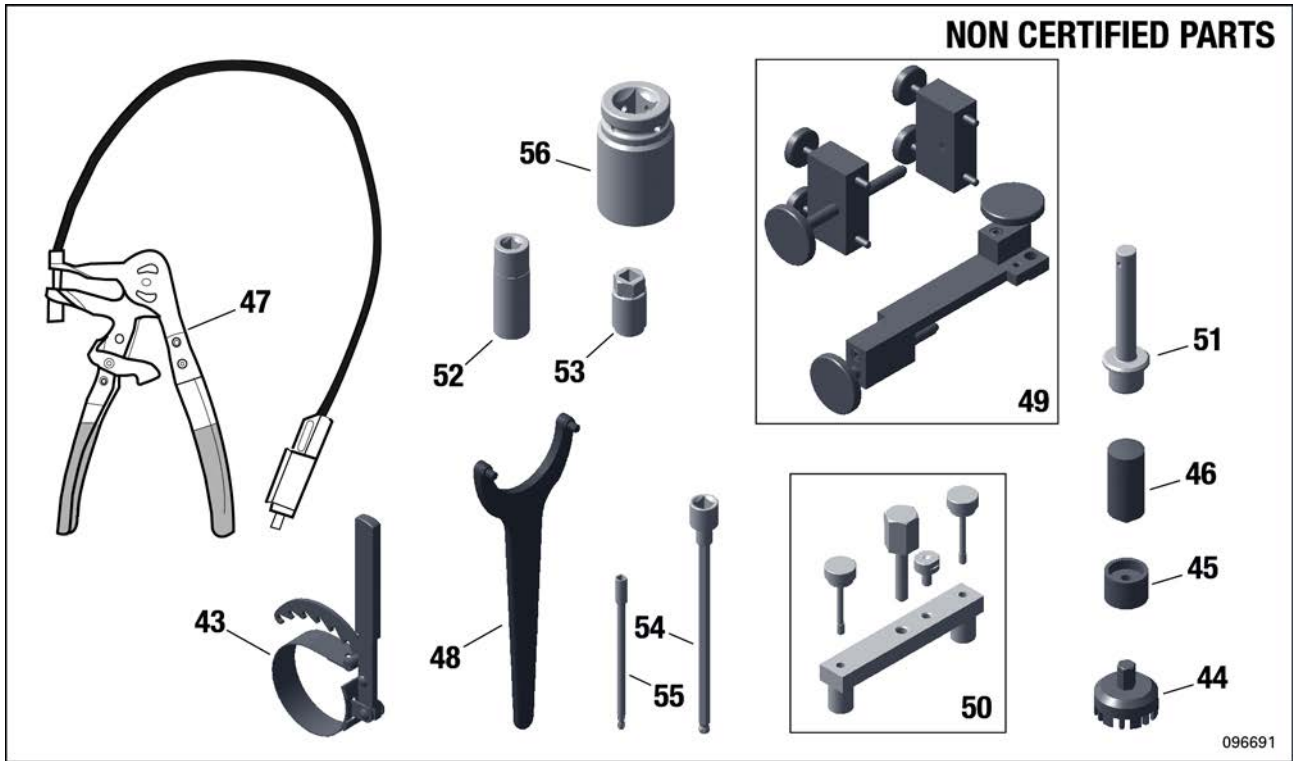
FIG. & ITEM NO.	STATUS	PART NO.	INDENT	Description	Parts per Engine		
					912 iS	912 iSc Sport	912 iS Sport
29		877445	.1	SOCKET WRENCH ASSY. 41X12.5	1	1	1
30		877440	.1	SOCKET WRENCH A/F 41X20	1	1	1
31		877460	.1	REDUCING SOCKET 3/4"-1/2"	1	1	1
32		877802	.1	CIRCLIP INSTALLATION TOOL	1	1	1
33-34		877091	.1	PISTON PIN EXTRACTOR ASSY.	1	1	1
34		877155	..2	EXTRACTING NUT ASSY.	1	1	1
35		976380	.1	MONOHOOK CIRCLIP REMOVER	1	1	1
36		876967	.1	PISTON RING SPANNER 84 MM	1	1	1
37-38		877375	.1	PULLER ASSY.	1	1	1
38		940755	..2	HEX. SCREW M16X1.5X150	1	1	1
39		876557	.1	PROTECTION MUSHROOM	1	1	1
40		877263	.1	CYLINDER ALIGNING TOOL	1	1	1
41		877380	.1	VALVE SPRING MOUNTING DEVICE	1	1	1
42		877387	.1	VALVE SPRING LOADING JIG ASSY.	1	1	1

- Items not illustrated

d06281.fm

BRP-Rotax
ILLUSTRATED PARTS CATALOG

REPAIR TOOLS



ITEM NO.	Application	ITEM NO.	Application
43	Oil filter removal	50	Ignition housing
44	Waterpump impeller	51	Oil Seal 28x38x7 Ignition housing
45	Rotary seal ignition housing	52	Pressure sensor Oil and Airbox
46	Oil Seal 12x30x7 water pump shaft	53	Temperature sensor Oil and Water
47	Spring type hose clip 28	54	Engine mount
48	Overload clutch	55	Intake manifold
49	Crankcase	56	Nut for sprag clutch housing

BRP-Rotax

ILLUSTRATED PARTS CATALOG

REPAIR TOOLS

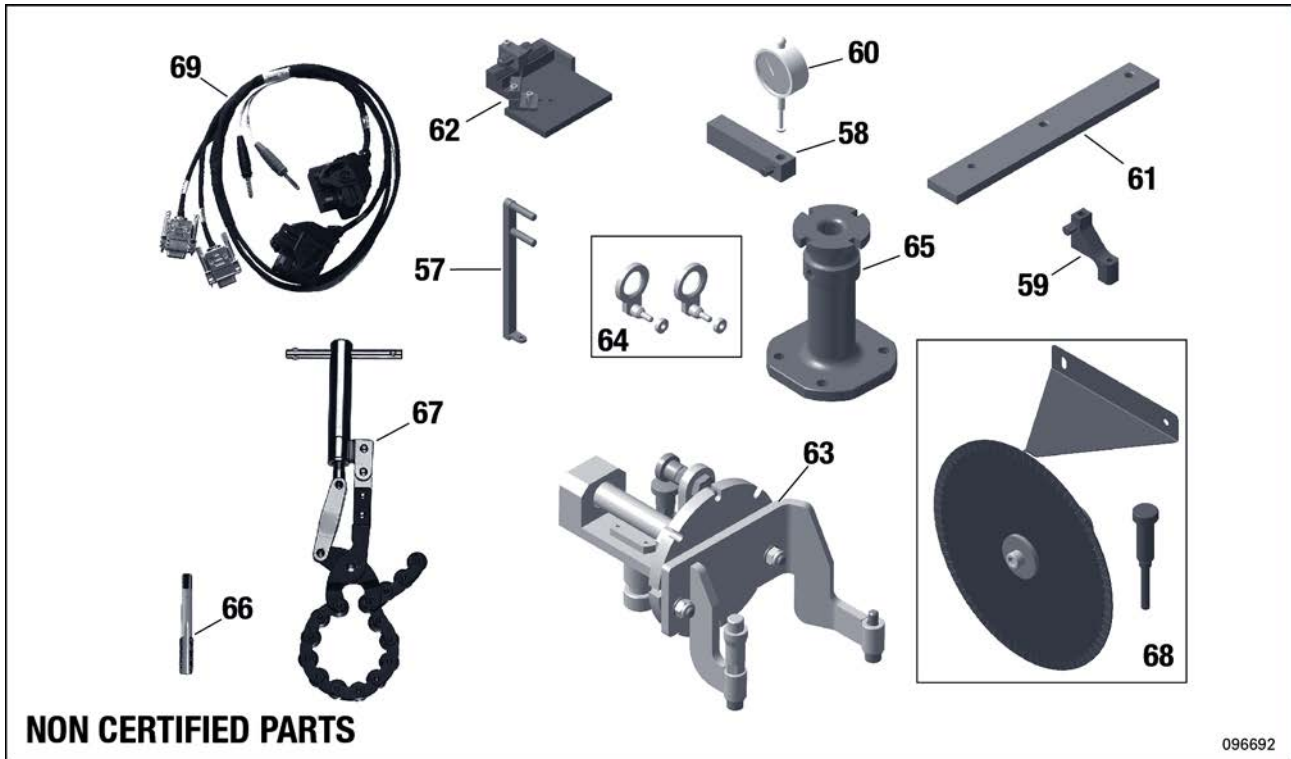
FIG. & ITEM NO.	STATUS	PART NO.	INDENT	Description	Parts per Engine		
					912 iS	912 iSc Sport	912 iS Sport
43		877620	.1	OIL FILTER WRENCH	1	1	1
44		877295	.1	IMPELLER WRENCH ASSY.	1	1	1
45		877258	.1	PRESS ON DEVICE ASSY.	1	1	1
46		876510	.1	INSERTION JIG	1	1	1
47		877840	.1	SPRING CLAMP PLIERS	1	1	1
48		877390	.1	NUT SPANNER A90	1	1	1
49		877766	.1	CRAKE CASE SPLITHING TOOL ASSY.	1	1	1
50		876010	.1	PULLER ASSY.	1	1	1
51		876020	.1	INSERTION JIG	1	1	1
52		876075	.1	SOCKET WRENCH 21x12.5	1	1	1
53		876130	.1	SOCKET WRENCH 19x12.5	1	1	1
54		876240	.1	SOCKET DRIVER HEX. 8 BALL HEAD	1	1	1
55		876180	.1	SOCKET DRIVER T30 BALL HEAD	1	1	1
56		876070	.1	SOCKET WRENCH 38x20	1	1	1

- Items not illustrated

d06281.fm

BRP-Rotax
ILLUSTRATED PARTS CATALOG

REPAIR TOOLS



ITEM NO.	Application	ITEM NO.	Application
57	Crankcase	64	Engine removal
58	Checking plain bearing projection	65	Trestle support
59-60	Dial gauge	66	Thread bent socket
61	Checking plain bearing position	67	Oil filter
62	Dial gauge adapter for valve seat inspect	68	Twist of crankshaft
63	Crankcase	69	ECU (Engine Control Unit)

BRP-Rotax

ILLUSTRATED PARTS CATALOG

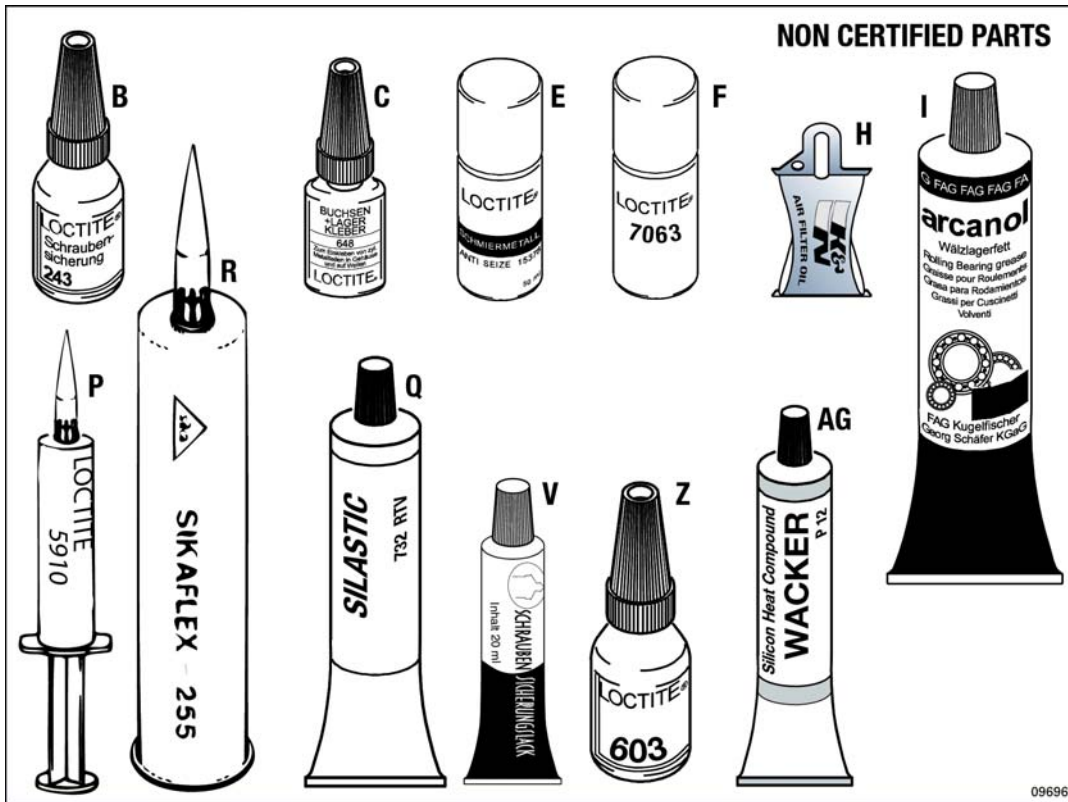
REPAIR TOOLS

FIG. & ITEM NO.	STATUS	PART NO.	INDENT	Description	Parts per Engine		
					912 iS	912 iSc Sport	912 iS Sport
57		877690	.1	CHECK LEVER	1	1	1
58		877316	.1	GRADUATED STRAIGHTEDGE ASSY.	1	1	1
59		877710	.1	DIAL GAUGE ADAPTER ASSY	1	1	1
60		876950	.1	PRECISION DIAL GAUGE	1	1	1
61		877300	.1	ALIGNING PLATE	1	1	1
62		976140	.1	DIAL GAUGE ADAPTER ASSY.	1	1	1
63		876050	.1	TRESTLE ADAPTER ASSY.	1	1	1
64		876040	.1	ENGINE LIFT SET ASSY.	1	1	1
65		877930	.1	TRESTLE SUPPORT	1	1	1
66		877570	.1	TAPPING DRILL M18X1	1	1	1
67		877670	.1	CUTTING TOOL	1	1	1
68		877520	.1	PROTRACTOR CRANKSHAFT DISTORTION INSP.	1	1	1
69		864280	.1	SERVICE WIRING HARNESS ASSY.	1	1	1

- Items not illustrated

d06281.fm

BRP-Rotax
ILLUSTRATED PARTS CATALOG
LUBRICANT TOOLS



ITEM NO.	Application	ITEM NO.	Application
B	Medium strenght bond 10 cc.	P	Regular body/high adhesion flexible flang sealant
C	High strenght bond 5 ml.	R	For vibration damping; 310 cc.
E	To prevent metal galling 50cc.	V	For marking
F	Cleaner	Z	High strenght bond 10 ml.
H	Blister 14.8 ml.	AG	For better heat transfer from the spark plugs
I	To prevent leakage current; 250 gr.		

BRP-Rotax

ILLUSTRATED PARTS CATALOG

LUBRICANT TOOLS

FIG. & ITEM NO.	STATUS	PART NO.	INDENT	Description	Parts per Engine		
					912 iS	912 iSc Sport	912 iS Sport
B		897651	.1	LOCTITE 243 BLUE, 10 CC.	AR	AR	AR
C		899788	.1	LOCTITE 648 GREEN, 5 GR.	AR	AR	AR
E		297434	.1	LOCTITE ANTI SEIZE 8151 50 ML.	AR	AR	AR
F		xxx	.1	LOCTITE 7063	AR	AR	AR
H		897870	.1	K&N FILTER OIL 99-11312	AR	AR	AR
I		897330	.1	LITHIUM-BASE GREASE, 250 GR.,	AR	AR	AR
O		xxx	.1	ENGINE OIL	AR	AR	AR
P		899791	.1	LOCTITE 5910, 50 ML	AR	AR	AR
R		297711	.1	PU-GLUE AS REQ, SIKALFEX255	AR	AR	AR
V		898570	.1	LOCKING PAINT	AR	AR	AR
Z		899789	.1	LOCTITE 603 GREEN, 10 CC.	AR	AR	AR
AG		897186	.1	SILICONE HEAT COMPOUND AS REQ WACKER P12, 150GR.	AR	AR	AR

- Items not illustrated

BRP-Rotax

ILLUSTRATED PARTS CATALOG

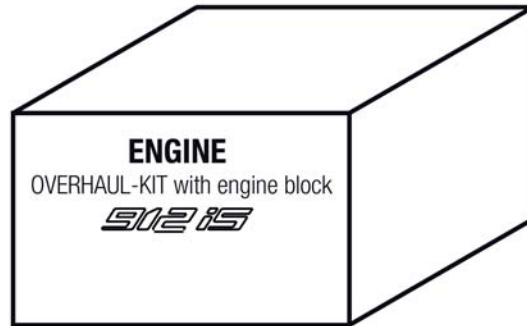
GASKET SET, DOCUMENTATIONS



11



15



14



12



13

09726

BRP-Rotax
 ILLUSTRATED PARTS CATALOG
GASKET SET, DOCUMENTATION

FIG. & ITEM NO.	STATUS	PART NO.	INDENT	Description	Parts per Engine		
					912 iS	912 iSc Sport	912 iS Sport
1		899745	.1	DOCUMENTATION CD-ROM	NB AR	NB AR	NB AR
2	n.a.	898730	.1	OPERATORS MANUAL	1	1	1
3		898740		(German version not available)	1	1	1
4	n.a.	898645	.1	INSTALLATION MANUAL	1	1	1
5		898647		(German version not available)	1	1	1
6		899475	.1	ILLUSTRATED PARTS CATALOG	1 1	1 1	1 1
7	n.a.	898732	.1	MAINTENANCE MANUAL LINE	1	1	1
8		898742		(German version not available)	1	1	1
9	n.a.	898750	.1	MAINTENANCE MANUAL HEAVY	1	1	1
10		898751		(German version not available)	1	1	1
11		580683	.1	ROTAX STICKER KIT AIRCRAFT	1	1	1
12		686240	.1	GASKET SET	1	1	1
13		893850	.1	OVERHAUL-KIT	1	1	1
14		893246	.1	OVERHAUL-KIT WITH ENGINE BLOCK	1	1	1
15		xxx	.1	ENGINE BLOCK See chap. 72-20-00	1	1	1

- Items not illustrated

d06281.fm

BRP-Rotax
ILLUSTRATED PARTS CATALOG

NOTES

d06281.fm

BRP-Rotax

ILLUSTRATED PARTS CATALOG

Chapter) LEP

LIST OF EFFECTIVE PAGES

Chapter	Page	Date
	Title page	Nov. 01 2016
TOC	TOC -1 TOC- 2	Nov. 01 2016 Nov. 01 2016
LEP	LEP - 1 LEP - 2	March 01 2017 March 01 2017
TOA	RV - 1 RV - 2	March 01 2017 March 01 2017
00-00-00	1 2 3 4 5 6 7 8 9 10 11 12 13 14 15 16 17 18 19 20	Nov. 01 2016 Nov. 01 2016 Nov. 01 2016 Nov. 01 2016 Nov. 01 2016 Nov. 01 2016 Nov. 01 2016 Nov. 01 2016 Nov. 01 2016 Nov. 01 2016 Nov. 01 2016 Nov. 01 2016 Nov. 01 2016 Nov. 01 2016 Nov. 01 2016 Nov. 01 2016 Nov. 01 2016 Nov. 01 2016 Nov. 01 2016 Nov. 01 2016
24-20-00	1 2 3 4	Nov. 01 2016 Nov. 01 2016 Nov. 01 2016 Nov. 01 2016
24-30-00	1 2 3 4	Nov. 01 2016 Nov. 01 2016 Nov. 01 2016 Nov. 01 2016
37-10-00	1 2 3 4	Nov. 01 2016 Nov. 01 2016 Nov. 01 2016 Nov. 01 2016

Chapter	Page	Date
61-20-00	1 2 3 4	Nov. 01 2016 Nov. 01 2016 Nov. 01 2016 Nov. 01 2016
71-20-00	1 2 3 4	Nov. 01 2016 Nov. 01 2016 Nov. 01 2016 Nov. 01 2016
72-10-00	1 2 3 4 5 6 7 8	Nov. 01 2016 Nov. 01 2016 Nov. 01 2016 Nov. 01 2016 Nov. 01 2016 Nov. 01 2016 Nov. 01 2016 Nov. 01 2016
72-20-00	1 2 3 4 5 6 7 8 9 10 11 12 13 14	Nov. 01 2016 Nov. 01 2016 Nov. 01 2016 Nov. 01 2016 Nov. 01 2016 Nov. 01 2016 Nov. 01 2016 Nov. 01 2016 Nov. 01 2016 Nov. 01 2016 Nov. 01 2016 Nov. 01 2016 Nov. 01 2016 Nov. 01 2016

d06422.fm

BRP-Rotax
ILLUSTRATED PARTS CATALOG

Chapter	Page	Date
73-10-00	1	Nov. 01 2016
	2	Nov. 01 2016
	3	Nov. 01 2016
	4	Nov. 01 2016
	5	Nov. 01 2016
	6	Nov. 01 2016
	7	Nov. 01 2016
	8	Nov. 01 2016
	9	Nov. 01 2016
	10	Nov. 01 2016
	11	Nov. 01 2016
	12	Nov. 01 2016
	13	Nov. 01 2016
	14	Nov. 01 2016
	15	Nov. 01 2016
	16	Nov. 01 2016
74-20-00	1	Nov. 01 2016
	2	Nov. 01 2016
	3	Nov. 01 2016
	4	Nov. 01 2016
	5	Nov. 01 2016
	6	Nov. 01 2016
75-20-00	1	Nov. 01 2016
	2	Nov. 01 2016
	3	Nov. 01 2016
	4	Nov. 01 2016
	5	Nov. 01 2016
	6	Nov. 01 2016
	7	Nov. 01 2016
	8	Nov. 01 2016
76-10-00	1	Nov. 01 2016
	2	Nov. 01 2016
	3	Nov. 01 2016
	4	Nov. 01 2016
76-50-00	1	Nov. 01 2016
	2	Nov. 01 2016
	3	Nov. 01 2016
	4	Nov. 01 2016
78-10-00	1	Nov. 01 2016
	2	Nov. 01 2016
	3	Nov. 01 2016
	4	Nov. 01 2016
	5	Nov. 01 2016
	6	Nov. 01 2016

Chapter	Page	Date
79-20-00	1	Nov. 01 2016
	2	Nov. 01 2016
	3	Nov. 01 2016
	4	Nov. 01 2016
	5	Nov. 01 2016
	6	Nov. 01 2016
	7	Nov. 01 2016
	8	Nov. 01 2016
	9	Nov. 01 2016
	10	Nov. 01 2016
80-10-00	1	March 01 2017
	2	March 01 2017
	3	March 01 2017
	4	March 01 2017

d06422.fm

BRP-Rotax

ILLUSTRATED PARTS CATALOG

Chapter) TOA

TABLE OF AMENDMENTS

Approval*

The technical content of this document is approved under the authority of DOA No. EASA.21J.048.

current no.	chapter	page	date of change	remark of approval	date of approval from authorities	date of issue	signature
0	TOC	all	Nov. 01 2016	DOA*			
0	LEP	all	Nov. 01 2016	DOA*			
0	TOA	all	Nov. 01 2016	DOA*			
0	00-00-00	all	Nov. 01 2016	DOA*			
0	24-20-00	all	Nov. 01 2016	DOA*			
0	24-30-00	all	Nov. 01 2016	DOA*			
0	37-10-00	all	Nov. 01 2016	DOA*			
0	61-20-00	all	Nov. 01 2016	DOA*			
0	71-20-00	all	Nov. 01 2016	DOA*			
0	72-10-00	all	Nov. 01 2016	DOA*			
0	72-20-00	all	Nov. 01 2016	DOA*			
0	73-10-00	all	Nov. 01 2016	DOA*			
0	74-20-00	all	Nov. 01 2016	DOA*			
0	75-20-00	all	Nov. 01 2016	DOA*			
0	76-10-00	all	Nov. 01 2016	DOA*			
0	76-50-00	all	Nov. 01 2016	DOA*			
0	78-10-00	all	Nov. 01 2016	DOA*			
0	79-20-00	all	Nov. 01 2016	DOA*			
0	80-10-00	all	Nov. 01 2016	DOA*			
1	LEP	all	March 01 2017	DOA*			
1	TOA	all	March 01 2017	DOA*			
1	80-10-00	all	March 01 2017	DOA*			

d06424.fm

BRP-Rotax

ILLUSTRATED PARTS CATALOG

Chapter) TOA

Content

Summary of the relevant amendments in this context, but makes no claim to completeness.

current no.	chapter	page	date of change	comments
0	all	all	Nov. 01 2016	New IPC layout, change company name
1	80-10-00	all	March 01 2017	- Removal of 0.9 kW HD-Starter (not tested for 912 iS / 912 iS Sport / 912 iSc Sport)

d06424.fm

BRP-Rotax
ILLUSTRATED PARTS CATALOG

NOTES

d06284.fm

BRP-Rotax
ILLUSTRATED PARTS CATALOG

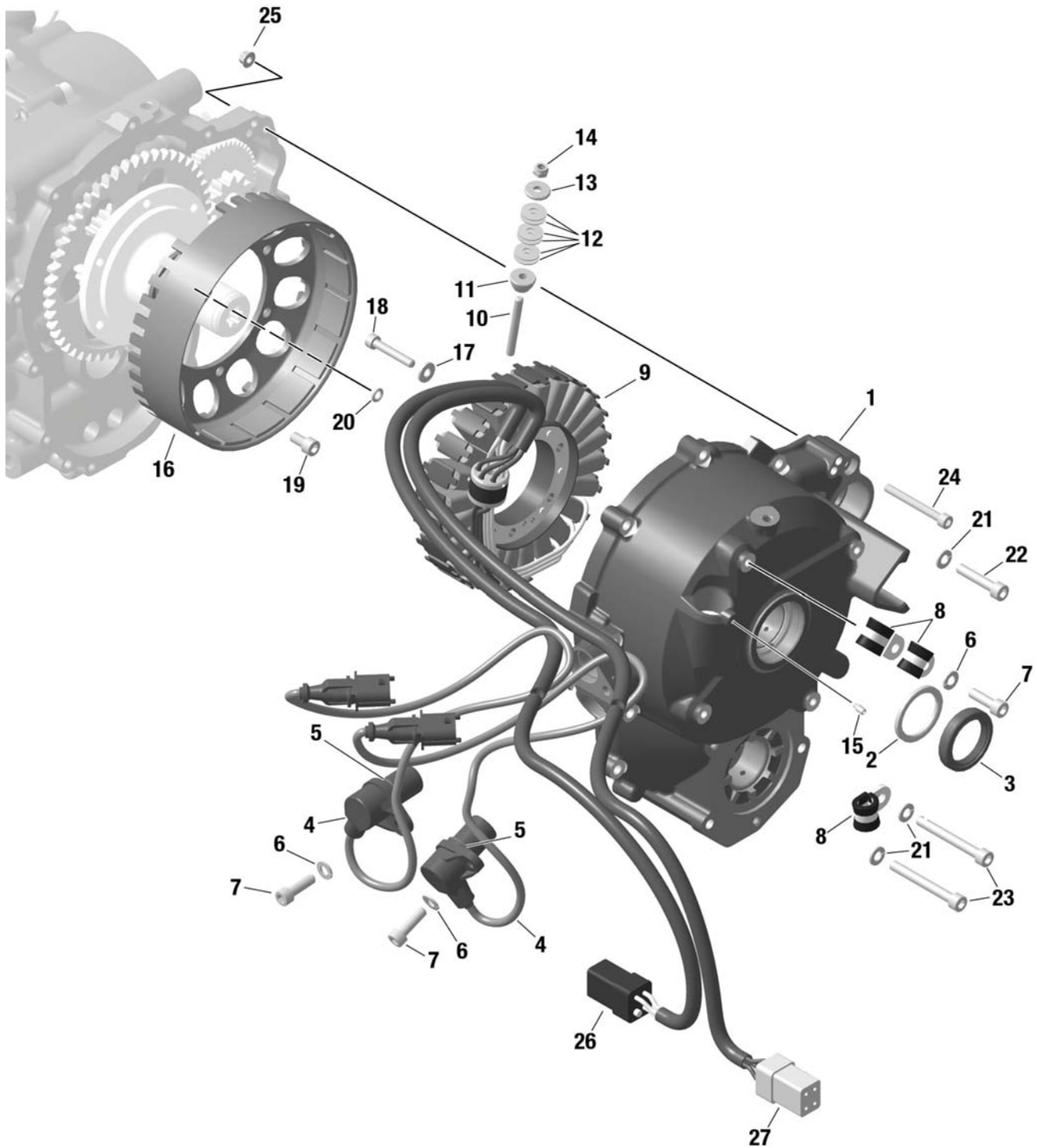


Fig. 24-20-00-1

08710_a

d06284_fm

BRP-Rotax

ILLUSTRATED PARTS CATALOG

Chapter) 24-20-00

**IGNITION HOUSING, STATOR, RECTIFIER REGULATOR, CRANKSHAFT POSITION
SENSOR ASSY.**

FIG & ITEM NO.	STATUS	PART NO.	INDENT	Description	Parts per Engine		
					912 iS	912 iSc Sport	912 iS Sport
1		611594	.1	IGNITION HOUSING ASSY.	1	1	1
2		827220	.1	WASHER 32/38/1.5	1	1	1
3		230427	.1	OIL SEAL GPRE 28x38x7 FKM	1	1	1
4-5		966572	.1	CRANKSHAFT POSITION SENSOR	2	2	2
5		431580	..2	O-RING 17.17x1.78 FPM 70	2	2	2
6		945751	.1	LOCK WASHER A6	3	3	3
7		241930	.1	ALLEN SCREW M6x20	2	2	2
8		853412	.1	CABLE CLAMP	3	3	3
9		685062	.1	STATOR ASSY.	1	1	1
10		840792	.1	STUD M5x44	1	1	1
11		947510	.1	DISTANCE SLEEVE	1	1	1
12		938080	.1	DISK SPRING 15x5.2x0.7	6	6	6
13		827240	.1	WASHER 5.1/15.5/2.5	1	1	1
14		842033	.1	LOCK NUT M5	1	1	1
15		840820	.1	ADJUSTMENT SCREW M4x8	1	1	1
16		685070	.1	MAGNETO FLYWHEEL ASSY.	1	1	1
17		827800	.1	WASHER A 5.5	6	6	6
18		940881	.1	ALLEN SCREW M5x30	6	6	6
19		840036	.1	ALLEN SCREW M6x12	6	6	6
20		831929	.1	O-RING 5x2 See chap. 72-20-00	1	1	1
21		827961	.1	WASHER 6.4	7	7	7
22		840880	.1	ALLEN SCREW M6x30	5	5	5
23		241761	.1	ALLEN SCREW M6x50	2	2	2

- Items not illustrated

d06284.fm

BRP-Rotax
ILLUSTRATED PARTS CATALOG

FIG & ITEM NO.	STATUS	PART NO.	INDENT	Description	Parts per Engine		
					912 iS	912 iSc Sport	912 iS Sport
24		941791	.1	ALLEN SCREW M5x45	2	2	2
25		942311	.1	HEX. NUT M5	2	2	2
26		xxx	.1	CONNECTOR SET GREY See chap. 76-10-00	1	1	1
27		xxx	.1	CONNECTOR SET BLACK See chap. 76-10-00	1	1	1

- Items not illustrated

d06284.fm

BRP-Rotax
ILLUSTRATED PARTS CATALOG

NOTES

d06285.fm

BRP-Rotax
ILLUSTRATED PARTS CATALOG

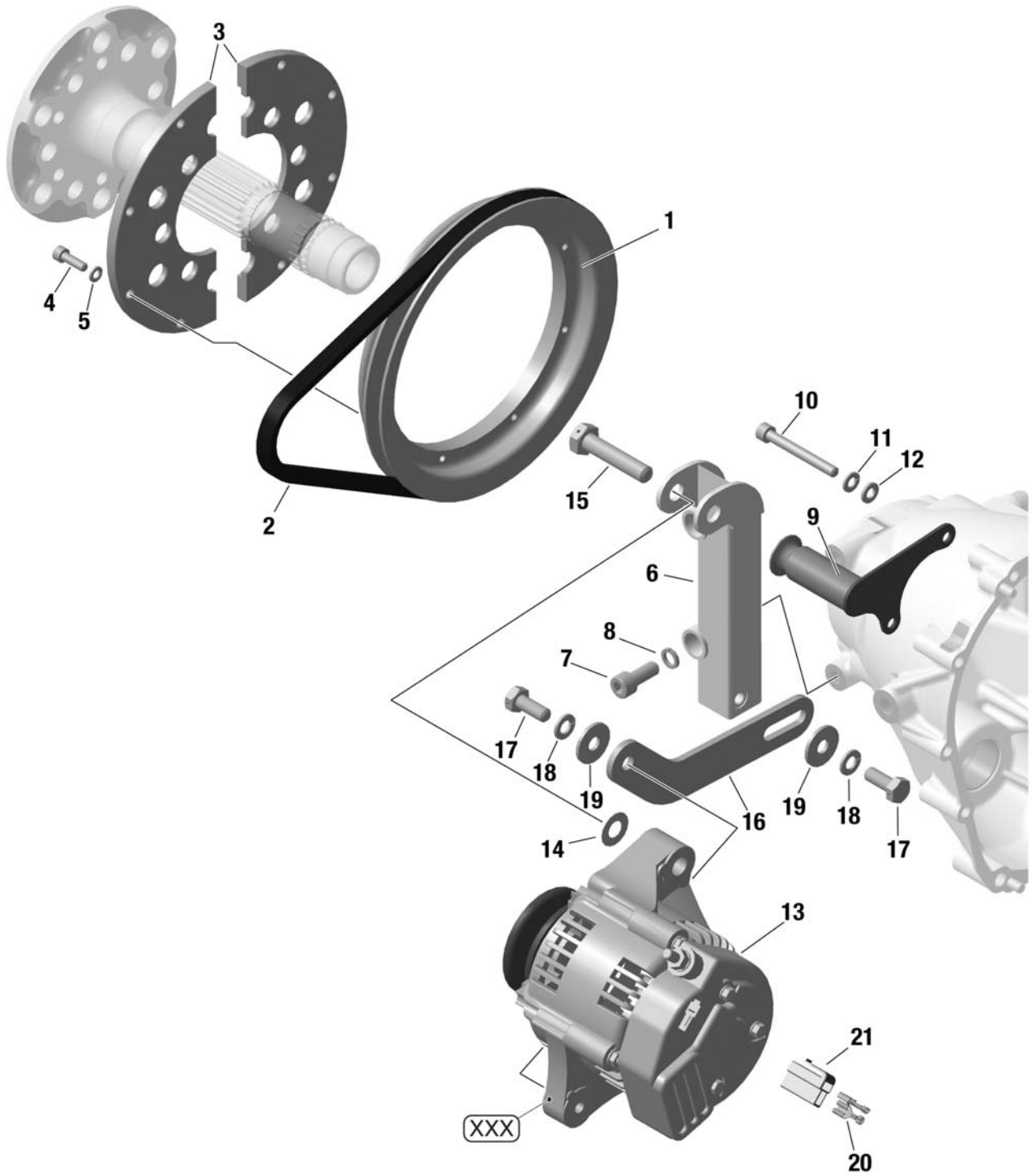


Fig. 24-30-00-1

08735

d06285.fm

BRP-Rotax

ILLUSTRATED PARTS CATALOG

Chapter) 24-30-00

EXTERNAL GENERATOR F3A (ALL PARTS OPTIONAL)

FIG & ITEM NO.	STATUS	PART NO.	INDENT	DESCRIPTION	Parts per Engine		
					912 iS	912 iSc Sport	912 iS Sport
1	1-21	887254	.1	ALTERNATORSET	1	1	1
1		980590	..2	V-BELT PULLEY	1	1	1
2		980400	..2	V-BELT 9,5X675	1	1	1
3		980605	..2	PULLEY CARRIER	2	2	2
4		840511	..2	ALLEN SCREW M5X16	8	8	8
5		945750	..2	LOCK WASHER A5	8	8	8
6		953222	..2	ALTERNATOR BRACKET ASSY.	1	1	1
7		240071	..2	ALLEN SCREW M8X20	2	2	2
8		845310	..2	LOCK WASHER VHZ 8	2	2	2
9		953232	..2	ALTERNATOR SUPPORT ASSY.	1	1	1
10		241761	..2	ALLEN SCREW M6X50	2	2	2
11		945751	..2	LOCK WASHER A6	2	2	2
12		827961	..2	WASHER 6.4	2	2	2
13		887251	..2	ALTERNATOR F3A	1	1	1
14		927952	..2	THRUST WASHER 10.1/20/0.5	1	1	1
15		941636	..2	HEX. SCREW M10X45	1	1	1
16		953241	..2	TENSION BAR	1	1	1
17		940596	..2	HEX. SCREW M8X2	2	2	2
18		945752	..2	LOCK WASHER A8	2	2	2
19		227935	..2	WASHER 8.4	2	2	2
20		864011	..2	FASTON CONNECTOR 6.3X0.8	2	2	2
21		265255	..2	CONNECTOR HOUSING 2-POLE	1	1	1

- Items not illustrated

d06285.fm

BRP-Rotax
ILLUSTRATED PARTS CATALOG

NOTES

d06285.fm

BRP-Rotax
ILLUSTRATED PARTS CATALOG

NOTES

d06286.fm

BRP-Rotax
ILLUSTRATED PARTS CATALOG

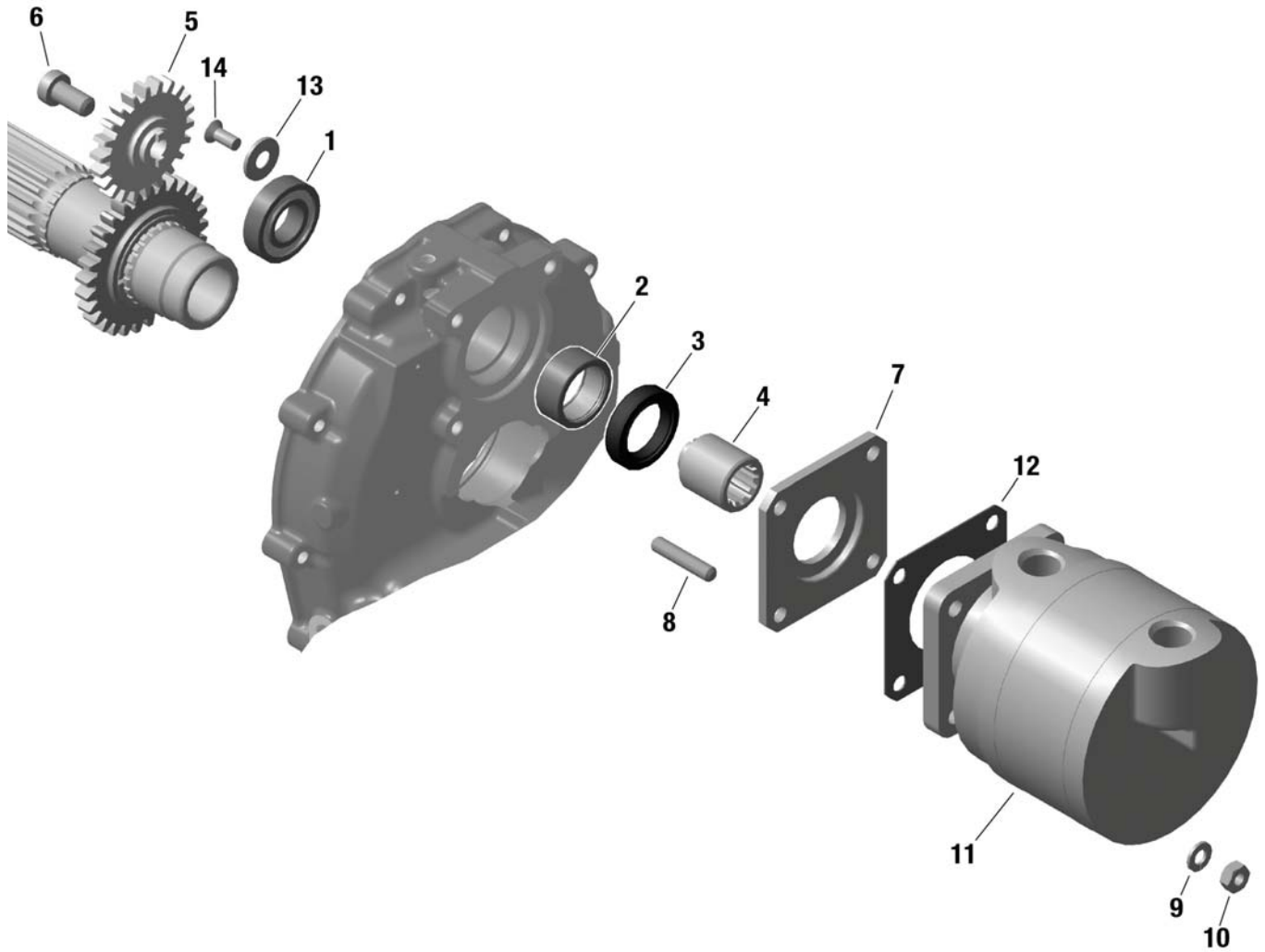


Fig. 37-10-00-1

09620

d06286.fm

BRP-Rotax

ILLUSTRATED PARTS CATALOG

Chapter) 37-10-00

VACUUM PUMP WITH DRIVE (ALL PARTS OPTIONAL)

FIG & ITEM NO.	STATUS	PART NO.	INDENT	Description	Parts per Engine		
					912 iS	912 iSc Sport	912 iS Sport
1	1-10	881690	.1	VACUUM PUMP DRIVE RETROFIT KIT	AR	AR	AR
1		832362	..2	BALL BEARING 16002 15-32-8	1	1	1
2		232925	..2	NEEDLE SLEEVE 22x28x12	1	1	1
3		831265	..2	OIL SEAL AS 22x32x7	1	1	1
4		847771	..2	DRIVE SLEEVE	1	1	
5		834245	..2	VACUUM PUMP GEAR 22T	1	1	1
6		941527	..2	ALLEN SCREW M8x14	1	1	1
7		810170	..2	ATTACHMENT FLANGE	1	1	1
8		941080	..2	STUD M6X20/10	4	4	4
9		945751	..2	LOCK WASHER A6	4	4	4
10		242211	..2	HEX.NUT M6	4	4	4
11	n.a.		.1	VACUUM PUMP	1	1	1
12	n.a.		.1	GASKET	1	1	1
13		xxx	.1	THRUST WASHER See chap. 72-20-00	1	1	1
14		xxx	.1	COUNTERSUNK SCREW M5X12 See chap. 72-20-00	1	1	1

- Items not illustrated

d06286.fm

BRP-Rotax
ILLUSTRATED PARTS CATALOG

NOTES

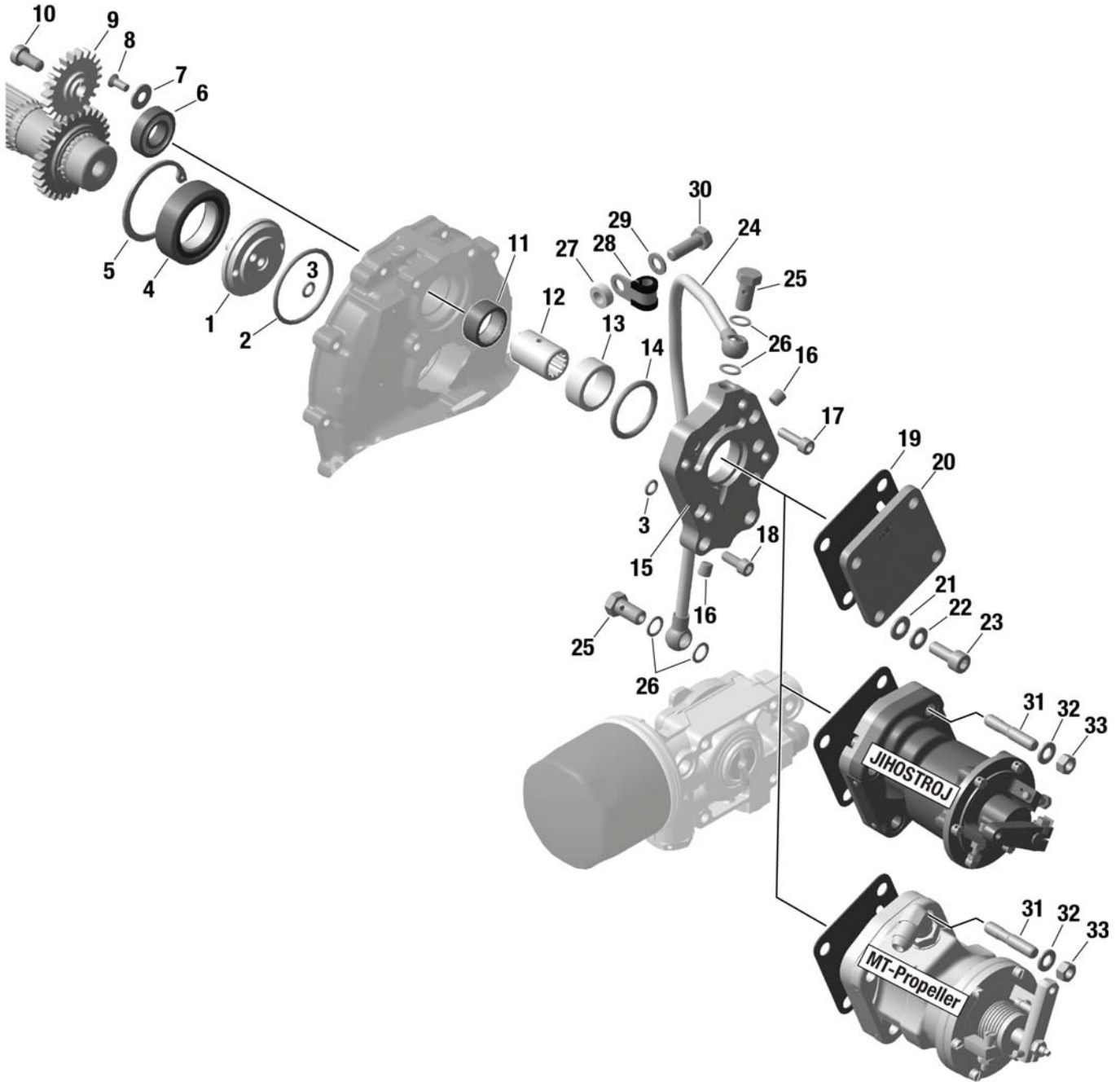
d06286.fm

BRP-Rotax
ILLUSTRATED PARTS CATALOG

NOTES

d06287.fm

BRP-Rotax
ILLUSTRATED PARTS CATALOG



08711_a

Fig. 61-20-00-1

d06287.fm

BRP-Rotax

ILLUSTRATED PARTS CATALOG

Chapter) 61-20-00

**HYDR. GOVERNOR ARRANGEMENT FOR CONSTANT SPEED
PROPELLER (OPTIONAL)**

FIG & ITEM NO.	STATUS	PART NO.	INDENT	Description	Parts per Engine		
					912 iS	912 iSc Sport	912 iS Sport
1 1		xxx	.1	OIL INLET FLANGE See chap. 72-10-00	1	1	1
2		xxx	.1	O-RING 46x3-N See chap. 72-10-00	1	1	1
3		830415	.1	O-RING 7x2-N	2	2	2
4		xxx	.1	ROLLER BEARING 205 E C3 25-52-15 See chap. 72-10-00	1	1	1
5		xxx	.1	RETAINING RING 52x2 See chap. 72-10-00	1	1	1
6		832362	.1	BALL BEARING 16002. 15-32-8	1	1	1
7		xxx	.1	THRUST WASHER See chap. 72-20-00	1	1	1
8		xxx	.1	COUNTERSUNK SCREW M5x12 See chap. 72-20-00	1	1	1
9		834245	.1	VACUUM PUMP GEAR 22 T	1	1	1
10		941521	.1	ALLEN SCREW M8x16	1	1	1
11		232925	.1	NEEDLE SLEEVE 22x28x12	1	1	1
12		847773	.1	DRIVE SLEEVE	1	1	1
13		847802	.1	SPACER 25/31.95/13	1	1	1
14		950380	.1	O-RING 32x4-N FPM 75	1	1	1
15		810293	.1	GOVERNOR FLANGE	1	1	1
16		941611	.1	PLUG SCREW M8x1	2	2	2
17		241930	.1	ALLEN SCREW M6x20	4	4	4
18		241236	.1	ALLEN SCREW M6x16	2	2	2
19		931770	.1	GASKET	1	1	1
20		926231	.1	COVER	1	1	1

- Items not illustrated

d06287.fm

BRP-Rotax
ILLUSTRATED PARTS CATALOG

FIG & ITEM NO.	STATUS	PART NO.	INDENT	Description	Parts per Engine		
					912 iS	912 iSc Sport	912 iS Sport
21		250311	.1	WASHER 8.4	4	4	4
22		945752	.1	LOCKWASHER A8	4	4	4
23		240071	.1	ALLEN SCREW M8x20	4	4	4
24		956460	.1	PRESSURE OIL LINE ASSY.	1	1	1
25		940876	.1	BANJO BOLT M10x1x19	2	2	2
26		230150	.1	SEALING RING A 10x14	4	4	4
27		847224	.1	DISTANCE SLEEVE 8.4/15/6	1	1	1
28		853418	.1	CABLE CLAMP	1	1	1
29		945752	.1	LOCK WASHER A8	1	1	1
30		240276	.1	HEX. SCREW M8x25	1	1	1
31		840711	.1	STUD M8x21/20	4	4	4
32		945752	.1	LOCK WASHER A8	4	4	4
33		942671	.1	HEX. NUT M8 (WS 11 mm)	4	4	4

- Items not illustrated

d06287.fm

BRP-Rotax
ILLUSTRATED PARTS CATALOG

NOTES

d06288.fm

BRP-Rotax
ILLUSTRATED PARTS CATALOG

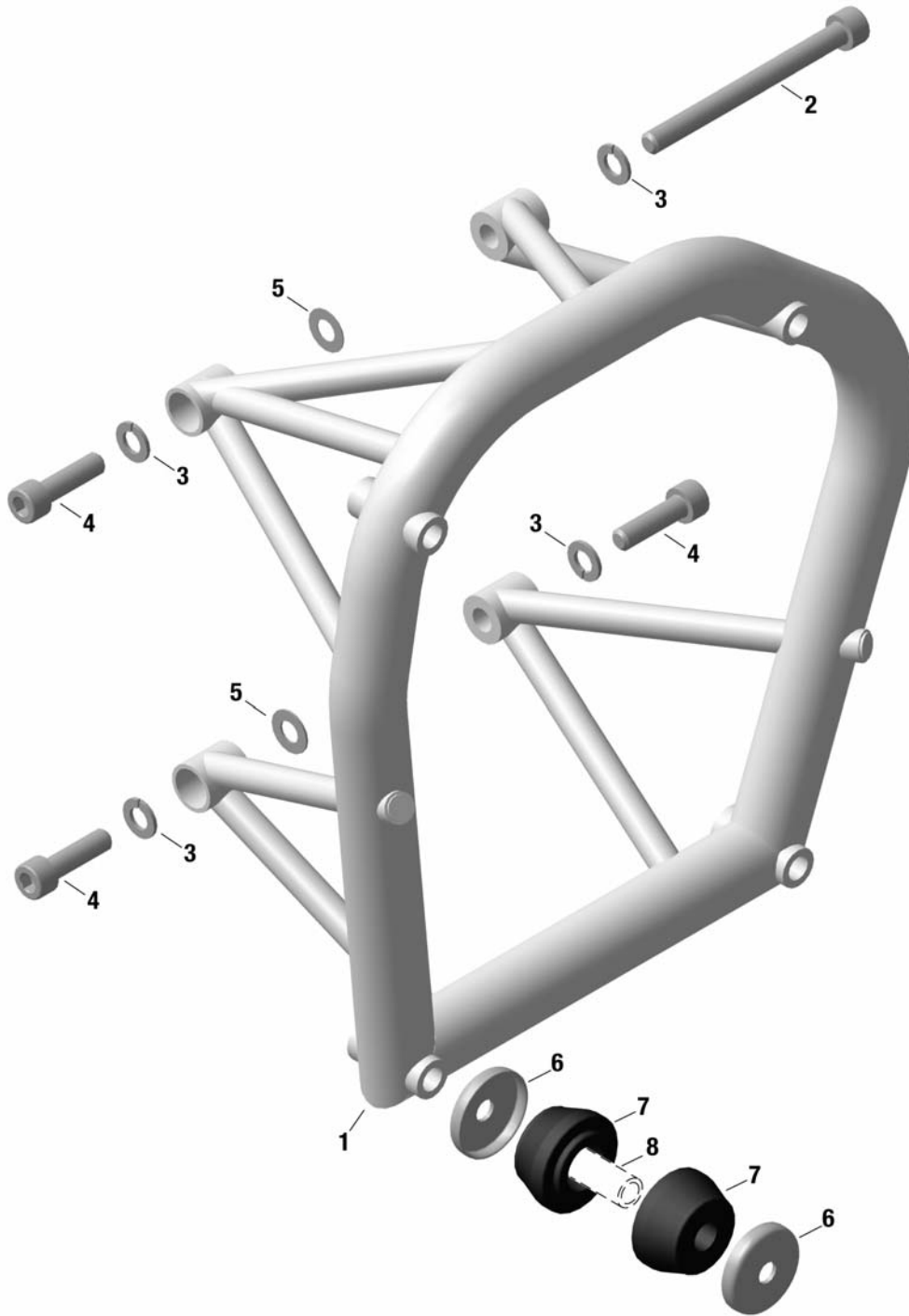


Fig. 71-20-00-1

08712

d06288.fm

BRP-Rotax
ILLUSTRATED PARTS CATALOG

Chapter) 71-20-00
ENGINE SUSPENSION FRAME

FIG & ITEM NO.	STATUS	PART NO.	INDENT	Description	Parts per Engine		
					912 iS	912 iSc Sport	912 iS Sport
1 1		886561	.1	ENGINE SUSPENSION FRAME ASSY.	1	1	1
2		941487	.1	ALLEN SCREW M10x110	1	1	1
3		945753	.1	LOCK WASHER A10	4	4	4
4		840948	.1	ALLEN SCREW M10x35	3	3	3
5		927952	.1	THRUST WASHER 10.1/20/0.5	AR	AR	AR
5		927953	.1	THRUST WASHER 10.1/20/1.0	AR	AR	AR
6-7		860695	.1	SHOCK MOUNT SET	1	1	1
6		944240	..2	CUP WASHER	8	8	8
7		860690	..2	SHOCK-MOUNT	8	8	8
8	n.a.		.1	STRUT not available at BRP-Rotax	4	4	4

- Items not illustrated

d06288.fm

BRP-Rotax
ILLUSTRATED PARTS CATALOG

NOTES

d06288.fm

BRP-Rotax
ILLUSTRATED PARTS CATALOG

NOTES

d06289.fm

BRP-Rotax
ILLUSTRATED PARTS CATALOG

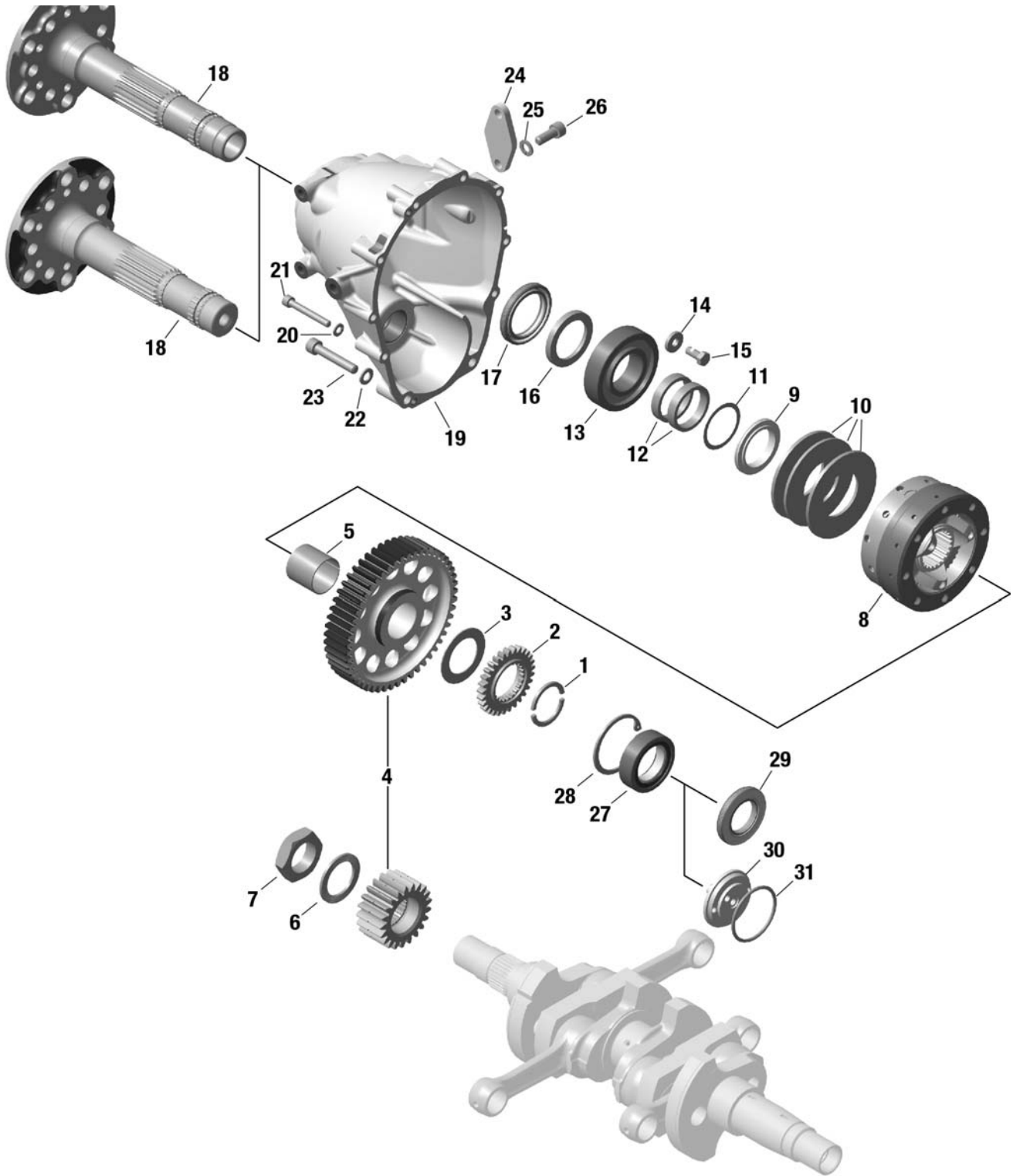


Fig. 72-10-00-1

08713

d06289.fm

BRP-Rotax

ILLUSTRATED PARTS CATALOG

Chapter) 72-10-00

PROPELLER GEAR ASSY. WITH OVERLOAD CLUTCH

FIG. & ITEM NO.	STATUS	PART NO.	INDENT	Description	Parts per Engine		
					912 iS	912 iSc Sport	912 iS Sport
1	1-28	893340	.1	GEARBOX WITH CLUTCH I 2.43-2 Version 2	1b		
		893341	.1	GEARBOX WITH CLUTCH I 2.43-2 Version 2		1a	1a
	1-28	893345	.1	GEARBOX WITH CLUTCH I 2.43-2 Version 3	1b		
		893346	.1	GEARBOX WITH CLUTCH I 2.43-2 Version 3		1a	1a
1		926035	..2	RING HALF	2	2	2
2		834232	..2	DRIVE GEAR 29 T	1	1	1
3		827992	..2	THRUST WASHER 33.2/51/1.2	1	1	1
4		886518	..2	GEAR SET I 2.43	1	1	1
5		933362	..2	BUSHING 31x33x29.8	1	1	1
6		845431	..2	FRICITION WASHER VS30	1	1	1
7		842579	..2	HEX. NUT M30x1.5 12 MM LH	1	1	1
8		996915	..2	OVERLOAD CLUTCH ASSY.	1b		
8		996916	..2	OVERLOAD CLUTCH ASSY.		1a	
9		847786	..2	STEP COLLAR	1	1	1
10		838216	..2	DISK SPRING B80 80x41x3	3	3	3
11		927401	..2	SHIM 35.4/43/0.2	AR	AR	AR
11		927402	..2	SHIM 35.4/43/0.5	AR	AR	AR
11		927403	..2	SHIM 35.4/43/1.0	AR	AR	AR
12		847687	..2	SPACER 35.2/42/8	2	2	2
13		832578	..2	BALL BEARING 6207E TN9 35-72-17	1	1	1
14		944320	..2	WASHER 7.2/18.8/3	4	4	4
15		941760	..2	HEX. SCREW M7x16	4	4	4

- Items not illustrated

d06289.fm

BRP-Rotax
ILLUSTRATED PARTS CATALOG

FIG. & ITEM NO.	STATUS	PART NO.	INDENT	Description	Parts per Engine		
					912 iS	912 iSc Sport	912 iS Sport
16		926022	..2	SPACER RING 36/50/5.5	1	1	1
17		950470	..2	OIL SEAL AS 40x55x7 FPM	1	1	1
18		837285	..2	PROPELLER SHAFT Version 2	1	1	1
18		837284	..2	PROPELLER SHAFT Version 3	1	1	1
19		811958	..2	GEAR COVER ASSY.	1	1	1
20		827961	..2	WASHER 6.4	8	8	8
21		241821	..2	ALLEN SCREW M6x45	8	8	8
22		944131	..2	WASHER 8 ISO 7092-300 HV	2	2	2
23		841561	..2	ALLEN SCREW M8x45	2	2	2
24		926151	..2	COVER	1	1	1
25		945752	..2	LOCK WASHER A8	2	2	2
26		940591	..2	ALLEN SCREW M8x20	2	2	2
27		232241	..2	ROLLER BEARING 205 E C3 25-52-15	1	1	1
28		945820	..2	RETAINING RING 52x2	1	1	1
29		950200	.1	OIL SEAL AS 30x52x7 FPM	1	1	1
30		810301	.1	OIL INLET FLANGE	1	1	1
31		430175	.1	O-RING 46x3	1	1	1

- Items not illustrated

- a break away torque 700-900 Nm (516-663 ft lb.)
- b break away torque 600-800 Nm (442-590 ft lb.)

d06289.fm

BRP-Rotax
ILLUSTRATED PARTS CATALOG

NOTES

d06289.fm

BRP-Rotax
ILLUSTRATED PARTS CATALOG

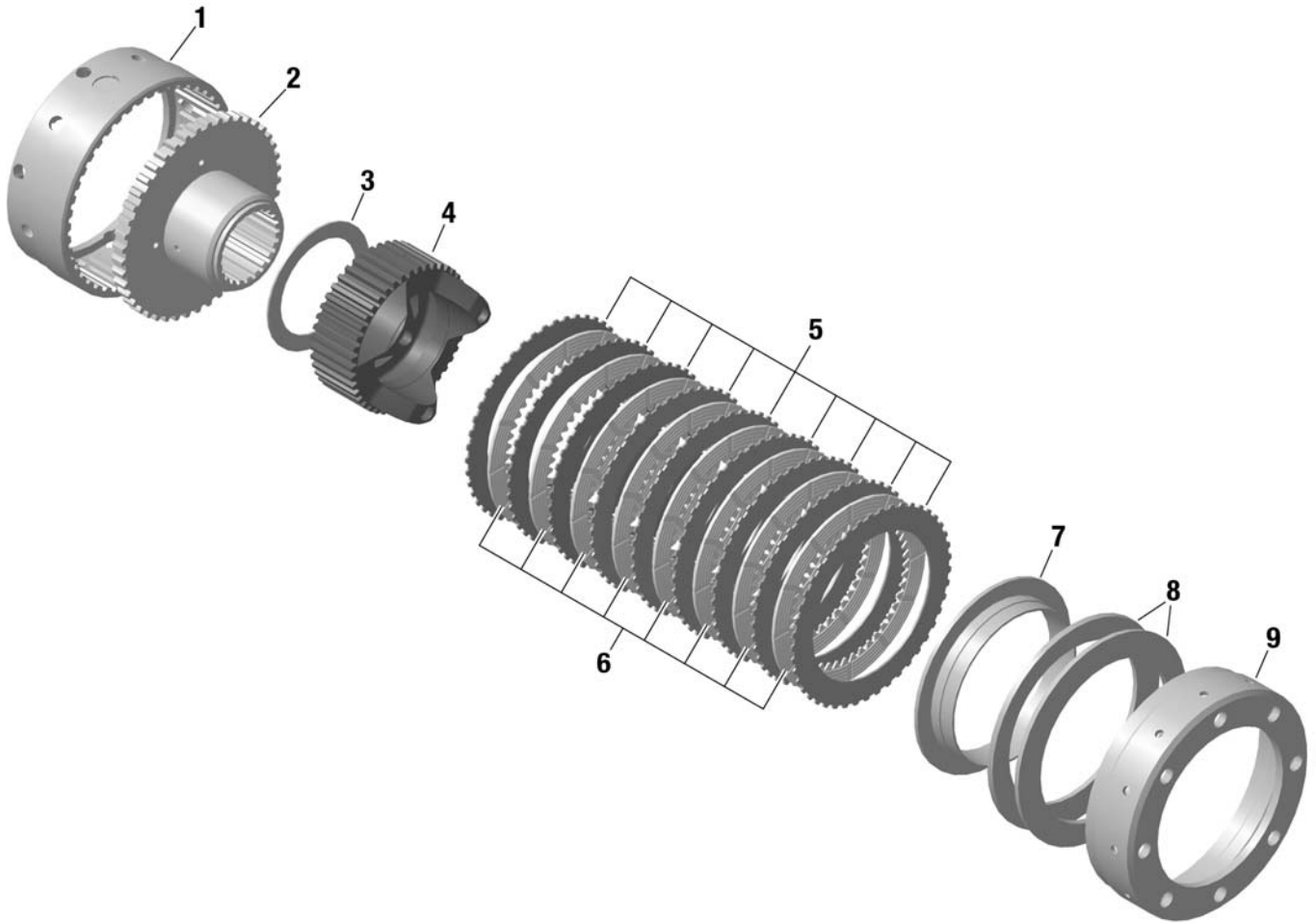


Fig. 72-10-00-2

08714_a

d06289.fm

BRP-Rotax

ILLUSTRATED PARTS CATALOG

Chapter) 72-10-00 OVER LOAD CLUTCH

FIG. & ITEM NO.	STATUS	PART NO.	INDENT	Description	Parts per Engine		
					912 iS	912 iSc Sport	912 iS Sport
2	1-9	996915	.1	OVERLOAD CLUTCH ASSY.	1b		
	1-9	996916	.1	OVERLOAD CLUTCH ASSY.		1a	1a
	1	958912	..2	CLUTCH DRUM	1	1	1
	2	958905	..2	CLUTCH HUB	1	1	1
	3	944080	..2	THRUST WASHER 45.2/60/1	1	1	1
	4	958926	..2	DOG HUB	1	1	1
	5	958931	..2	STEEL FRICTION PLATE 1.0 MM	9	9	9
	6	958945	..2	SINTER FRICTION PLATE 1.8 MM	8	8	8
	7	958951	..2	SUPPORT RING	1	1	1
	8	838161	..2	DISK SPRING 100X76X2.7	2	2	2
	9	842643	..2	COLLAR NUT M102X1.5	1	1	1

- Items not illustrated

- a break away torque 700-900 Nm (516-663 ft lb.)
- b break away torque 600-800 Nm (442-590 ft lb.)

d06289.fm

BRP-Rotax
ILLUSTRATED PARTS CATALOG

NOTES

d06289.fm

BRP-Rotax
ILLUSTRATED PARTS CATALOG

NOTES

d06290.fm

BRP-Rotax
ILLUSTRATED PARTS CATALOG

up to crankcase S/N: 14.0000

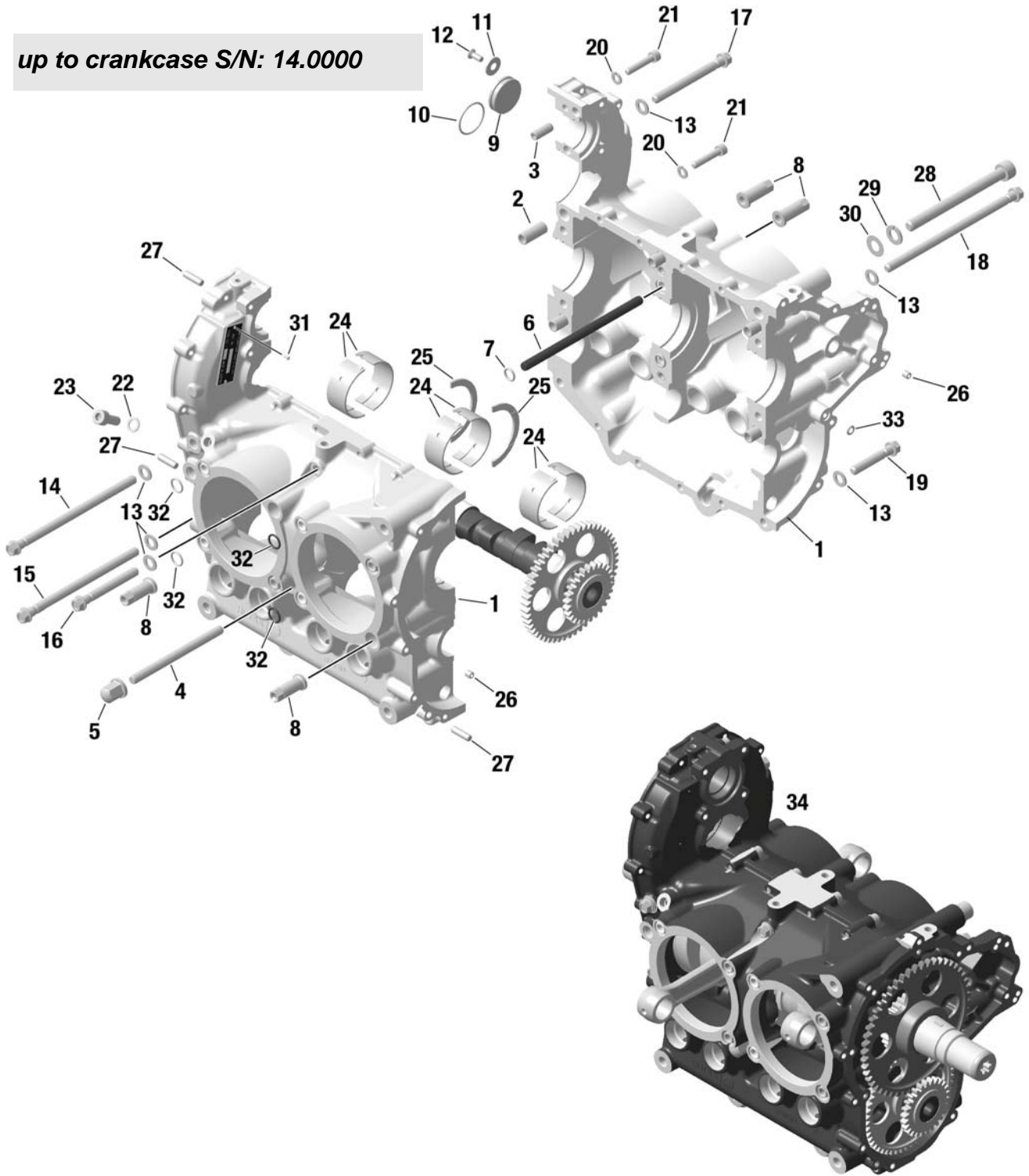


Fig. 72-20-00-1

08715_a

d06290.fm

BRP-Rotax
ILLUSTRATED PARTS CATALOG

Chapter) 72-20-00
CRANKCASE

FIG. & ITEM NO.	STATUS	PART NO.	INDENT	Description	Parts per Engine		
					912 iS	912 iSc Sport	912 iS Sport
1	1	892659	.1	CRANKCASE ASSY.	1	1	1
	2	929951	.1	DOWEL 10.8x25	5	5	5
	3	929845	.1	PIN D8x20	1	1	1
	4	840191	.1	STUD M8x105	1	1	1
	5	842471	.1	COLLAR CAP NUT M8	1	1	1
	6	840131	.1	STUD M8x138	2	2	2
	7	850902	.1	O-RING 9+0.2x2-N FPM 75	2	2	2
	8	929116	.1	THREAD SLEEVE M8	8	8	8
	9	944222	.1	BLINDING SHIM	1	1	1
	10	430061	.1	O-RING 26.7x1.8	1	1	1
	11	227280	.1	THRUST WASHER	1	1	1
	12	940315	.1	COUNTERSUNK SCREW M5x12	1	1	1
	13	944131	.1	WASHER 8 ISO 7092-300 HV	8	8	8
	14	840091	.1	HEX.COLLAR SCREW M8x140-SW10	1	1	1
	15	440686	.1	HEX. COLLAR SCREW M8x130-SW10	1	1	1
	16	440406	.1	HEX. COLLAR SCREW M8x65-SW10	1	1	1
	17	840061	.1	HEX. COLLAR SCREW M8x80-SW10	1	1	1
	18	840101	.1	HEX. COLLAR SCREW M8x150-SW10	2	2	2
	19	940071	.1	HEX. COLLAR SCREW M8x45-SW10	2	2	2
	20	827961	.1	WASHER 6.4	9	9	9
	21	840887	.1	ALLEN SCREW M6x30	9	9	9
	22	950141	.1	SEALING RING A 8x13	1	1	1
	23	240071	.1	ALLEN SCREW M8x20	1	1	1
	24	933870	.1	PLAIN BEARING "C"	6a	6a	6a

- Items not illustrated

d06290.fm

BRP-Rotax
ILLUSTRATED PARTS CATALOG

FIG. & ITEM NO.	STATUS	PART NO.	INDENT	Description	Parts per Engine		
					912 iS	912 iSc Sport	912 iS Sport
24		933871	.1	PLAIN BEARING "D"	6b	6b	6b
25		933335	.1	RING HALF	2	2	2
26		241613	.1	PLUG SCREW M6 A2-70	2c	2c	2c
27		429230	.1	DOWEL 6x20	3	3	3
28		941487	.1	ALLEN SCREW M10x110	1	1	1
29		945753	.1	LOCK WASHER A10	1	1	1
30		927410	.1	WASHER 10.5	1	1	1
31		249071	.1	GROOVED PIN 2x5	1	1	1
32		431570	.1	O-RING 10.82x1.78 See chap. 72-20-00	8	8	8
33		831929	.1	O-RING 5x2	1	1	1
34		300091210	.1	ENGINE BLOCK	1d	1d	1d

- Items not illustrated

- a Measure group "C" 1.820 - 1.829 mm
- b Measure group "D" 1.830 - 1.839 mm
- c Until crankcase SN 12.0122
- d With M8x1 screws

d06290.fm

BRP-Rotax
ILLUSTRATED PARTS CATALOG

NOTES

d06290.fm

BRP-Rotax
ILLUSTRATED PARTS CATALOG

from crankcase S/N: 14.0001

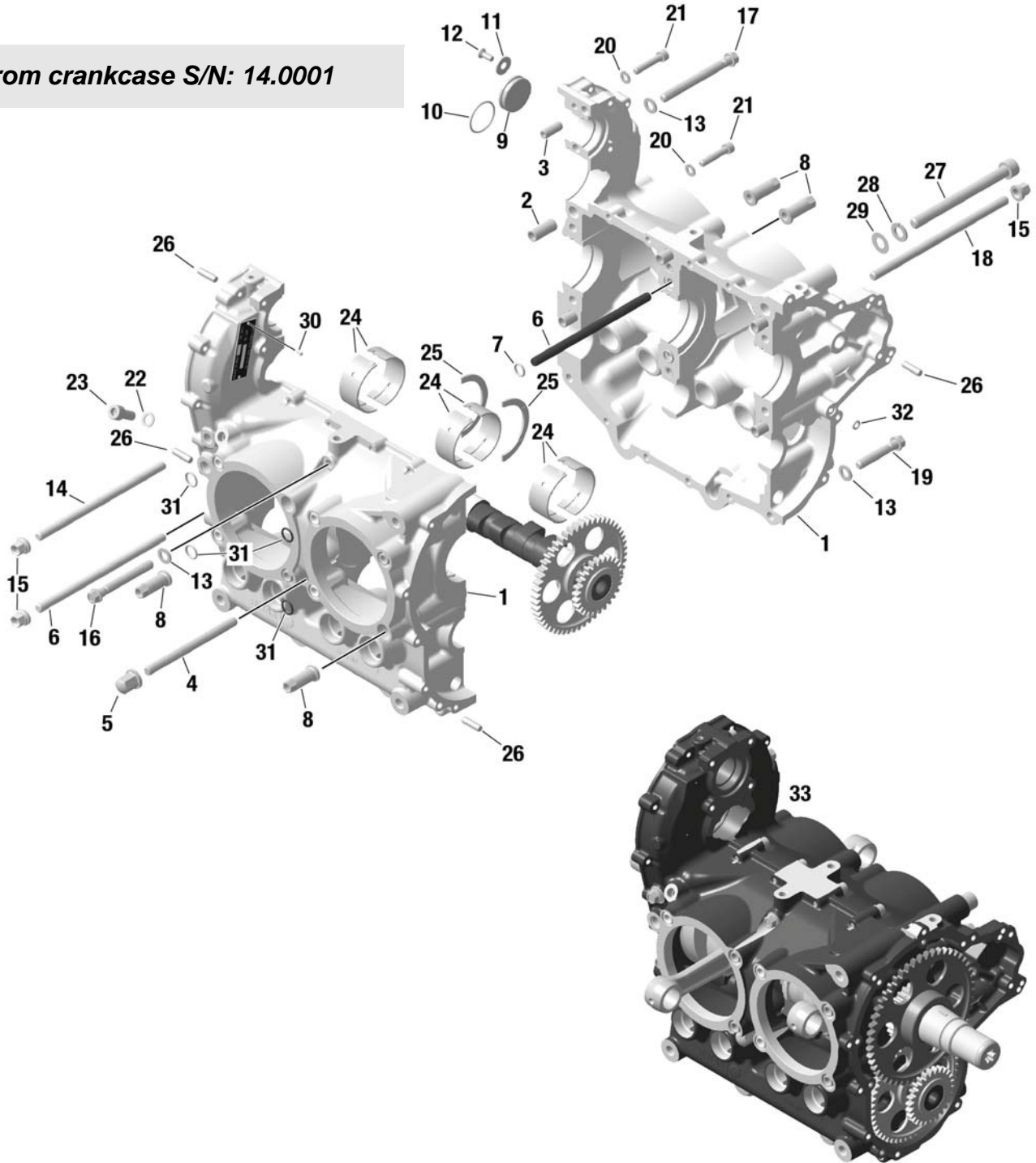


Fig. 72-20-00-2

10002

d06290.fm

BRP-Rotax
ILLUSTRATED PARTS CATALOG

Chapter) 72-20-00
CRANKCASE 912 iS Sport

FIG. & ITEM NO.	STATUS	PART NO.	INDENT	Description	Parts per Engine		
					912 iS	912 iSc Sport	912 iS Sport
2	1	893867	.1	CRANKCASE ASSY.	1ac	1ac	1ac
	2	929951	.1	DOWEL 10.8x25	5	5	5
	3	929845	.1	PIN D8x20	1	1	1
	4	840191	.1	STUD M8x105	1	1	1
	5	842476	.1	COLLAR CAP NUT M8	1	1	1
	6	840132	.1	STUD M8x1x139	3c	3c	3c
	7	850902	.1	O-RING 9+0.2x2	2	2	2
	8	929117	.1	THREAD SLEEVE M8x1	8bc	8bc	8bc
	9	944222	.1	BLINDING SHIM	1	1	1
	10	430061	.1	O-RING 26.7x1.8	1	1	1
	11	227280	.1	THRUST WASHER	1	1	1
	12	940315	.1	COUNTERSUNK SCREW M5x12	1	1	1
	13	944131	.1	WASHER 8 ISO 7092-300 HV	4c	4c	4c
	14	840092	.1	STUD M8x1x153	1c	1c	1c
	15	842860	.1	COLLAR NUT M8x1	4c	4c	4c
	16	440406	.1	HEX.COLLAR SCREW M8x65-SW10	1	1	1
	17	840061	.1	HEX.COLLAR SCREW M8x80-SW10	1	1	1
	18	840102	.1	STUD M8x1x163	2c	2c	2c
	19	940071	.1	HEX.COLLAR SCREW M8x45-SW10	2	2	2
	20	827961	.1	WASHER 6.4	9	9	9
	21	840887	.1	ALLEN SCREW M6x30	9	9	9
	22	950141	.1	SEALING RING A 8x13	1	1	1
	23	240071	.1	ALLEN SCREW M8x20	1	1	1
	24	933870	.1	PLAIN BEARING	6	6	6

- Items not illustrated

d06290.fm

BRP-Rotax
ILLUSTRATED PARTS CATALOG

FIG. & ITEM NO.	STATUS	PART NO.	INDENT	Description	Parts per Engine		
					912 iS	912 iSc Sport	912 iS Sport
24		933871	.1	PLAIN BEARING	6	6	6
25		933335	.1	RING HALF	2	2	2
26		429230	.1	DOWEL 6x20	3	3	3
27		941487	.1	ALLEN SCREW M10x110	1	1	1
28		945753	.1	LOCK WASHER A 10	1	1	1
29		927410	.1	WASHER 10.5	1	1	1
30		249071	.1	GROOVED PIN 2x5	1	1	1
31		431570	.1	O-RING 10.82x1.78	8	8	8
32		831929	.1	O-RING 5x2	1	1	1
33		300091210	.1	ENGINE BLOCK See chap. 00-00-00	1	1	1
-		881121	.1	SCREW SET - CRANKCASE	1c	1c	1c

- Items not illustrated

- a Crankcase with screw connection M8x1
- b Marked with groove
- c See Overhaul Manual of the respective engine type, current issue; M8x1

d06290.fm

BRP-Rotax
ILLUSTRATED PARTS CATALOG

NOTES

d06290.fm

BRP-Rotax
ILLUSTRATED PARTS CATALOG

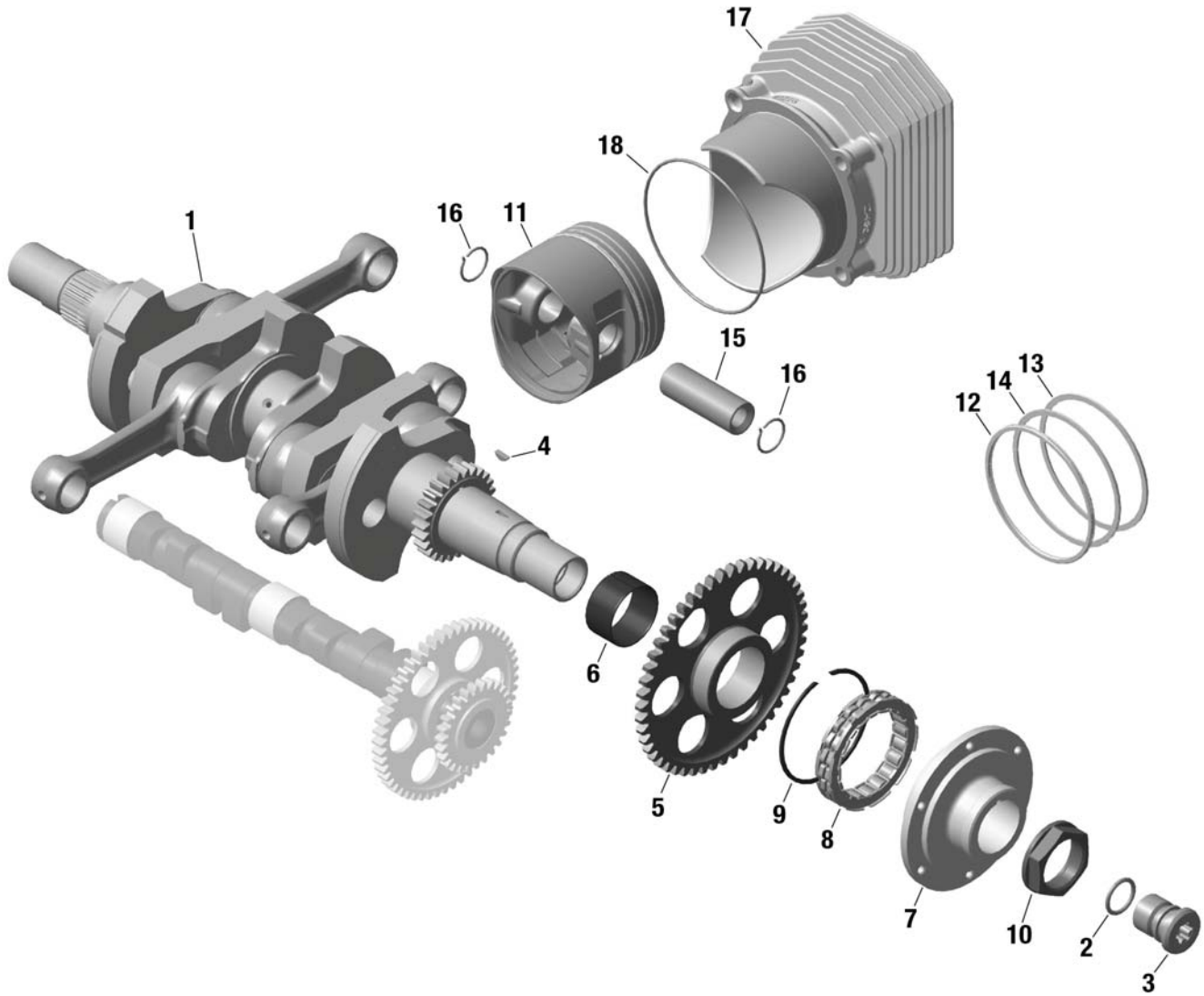


Fig. 72-20-00-3

08716

d06290.fm

BRP-Rotax

ILLUSTRATED PARTS CATALOG

Chapter) 72-20-00

CRANKSHAFT, PISTON, CYLINDER, SPRAG CLUTCH

FIG. & ITEM NO.	STATUS	PART NO.	INDENT	Description	Parts per Engine		
					912 iS	912 iSc Sport	912 iS Sport
3	1-3	888169	.1	CRANKSHAFT SET	1	1	1
	2	250055	..2	O-RING 18x2.5-N FPM 75	1	1	1
	3	940520	..2	PLUG SCREW M22x1.5	1	1	1
	4	246055	.1	WOODRUFF KEY 3x3.7	1	1	1
	5	834122	.1	FREE WHEEL GEAR 50 T	1	1	1
	6	933311	.1	BEARING BUSHING	1	1	1
	7	852407	.1	SPRAG CLUTCH HOUSING	1	1	1
	8	958856	.1	SPRAG CLUTCH 51.710x68.377x13	1	1	1
	9	845425	.1	CIRCLIP 70	1	1	1
	10	942250	.1	HEX. NUT M32x1.5-LH	1	1	1
	11-14	888382	.1	PISTON ASSY. 84/84.01 MM	4a	4a	4a
	12	815230	..2	OIL SCRAPER RING	4	4	4
	13	815251	..2	RECTANGULAR RING 84/77x1.5	4	4	4
	14	815280	..2	TAPERED COMPRESSION RING 84	4	4	4
	15	916356	.1	PISTON PIN 20x12x55.3	4	4	4
	16	845106	.1	MONOHOOK CIRCLIP 20	8	8	8
	17	913226	.1	CYLINDER	4b	4b	4b
	18	250510	.1	O-RING 87x2	4	4	4

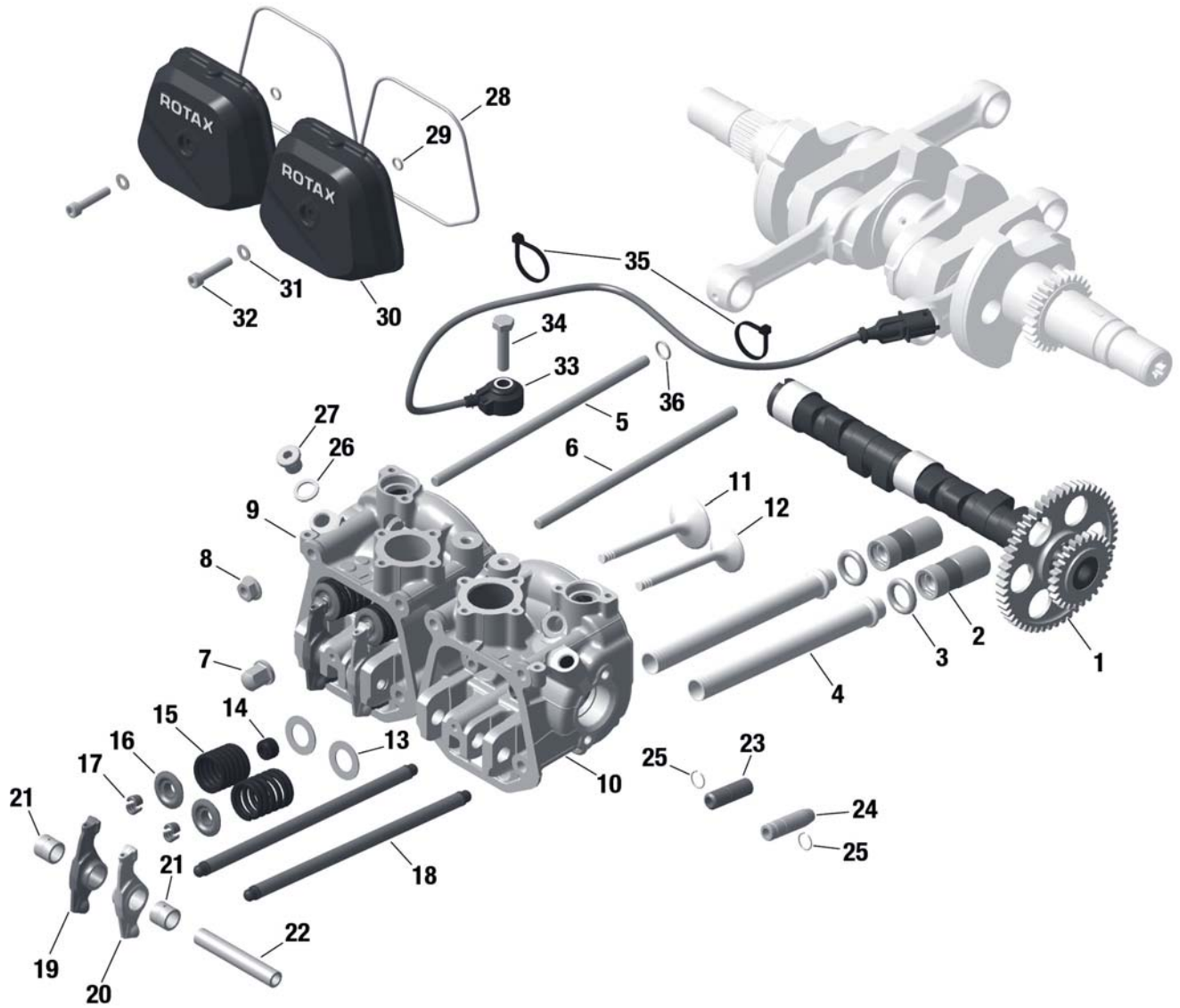
- Items not illustrated

a red 84 mm, green 84.01 mm

b A: 84.000 - 84.012 mm
B: 84.012 - 84.024 mm

d06290.fm

BRP-Rotax
ILLUSTRATED PARTS CATALOG



08717_a

Fig. 72-20-00-4

d06290.fm

BRP-Rotax

ILLUSTRATED PARTS CATALOG

Chapter) 72-20-00

CAMSHAFT, VALVE TRAIN, CYLINDERHEAD, VALVE COVER

FIG. & ITEM NO.	STATUS	PART NO.	INDENT	Description	Parts per Engine		
					912 iS	912 iSc Sport	912 iS Sport
4 1		837418	.1	CAM SHAFT 230 DEGR. ASSY. W/O. RPM	1	1	1
2		881832	.1	HYDRAULIC VALVE TAPPET	8	8	8
3		850930	.1	O-RING 16x5	8	8	8
4		924440	.1	OIL RETURN TUBE	8	8	8
5		840171	.1	STUD M8x200	8	8	8
6		840141	.1	STUD M8x186	8	8	8
7	n.a.	842471	.1	COLLAR CAP NUT M8	8c	8c	8c
7		842476	.1	COLLAR CAP NUT M8	8a	8a	8a
7		942301	.1	COLLAR NUT M8	8a	8a	8a
8	n.a.	842610	.1	HEX. NUT M8	8c	8c	8c
9		623775	.1	CYLINDERHEAD 2/3 ASSY.	2	2	2
10		623785	.1	CYLINDERHEAD 1/4 ASSY	2	2	2
11		854101	.1	INTAKE VALVE 38 MM	4	4	4
12		854111	.1	EXHAUST VALVE 32 MM	4	4	4
13		926210	.1	SHIM 16/27.9/1	8	8	8
14		230810	.1	VALVE STEM SEAL	4	4	4
15		838156	.1	VALVE SPRING	8	8	8
16		854186	.1	VALVE SPRING RETAINER	8	8	8
17		253092	.1	VALVE COTTER	16	16	16
18		854861	.1	VALVE PUSH-ROD ASSY.	8	8	8
19		854383	.1	ROCKER ARM LEFT	4	4	4
20		854393	.1	ROCKER ARM RIGHT	4	4	4
21		933396	.1	BUSHING	8	8	8
22		854193	.1	ROCKER ARM SHAFT	4	4	4

- Items not illustrated

d06290.fm

BRP-Rotax
ILLUSTRATED PARTS CATALOG

FIG. & ITEM NO.	STATUS	PART NO.	INDENT	Description	Parts per Engine		
					912 iS	912 iSc Sport	912 iS Sport
23		854225	.1	VALVE GUIDE	4	4	4
24		253114	.1	INLET VALVE GUIDE	4	4	4
25		245440	.1	RETAINING RING A12	8	8	8
26		250015	.1	SEALING RING A12x18	3	3	3
27		841923	.1	PLUG SCREW M12x1.5	3	3	3
28		250285	.1	O-RING 105x2.5	4	4	4
29		430205	.1	O-RING 6.4x1.8	4	4	4
30		612260	.1	VALVE COVER	4	4	4
31		927941	.1	WASHER 6.0/12/1	4	4	4
32		840887	.1	ALLEN SCREW M6x30	4	4	4
33		866270	.1	KNOCK SENSOR	1	1	1
34		940481	.1	HEX. SCREW M8x30	1	1	1
35		866714	.1	TIE WRAP 142x3.2 mm	2	2	2
36	N	431570		O-RING 10.82x1.78	8b	8b	8b

- Items not illustrated

- a Width A/F 11
- b From engine S/N up to engine S/N
912 iS: 4 417 001 up to 4 417 400
- c Width A/F 13

d06290.fm

BRP-Rotax
ILLUSTRATED PARTS CATALOG

NOTES

d06291.fm

BRP-Rotax
ILLUSTRATED PARTS CATALOG

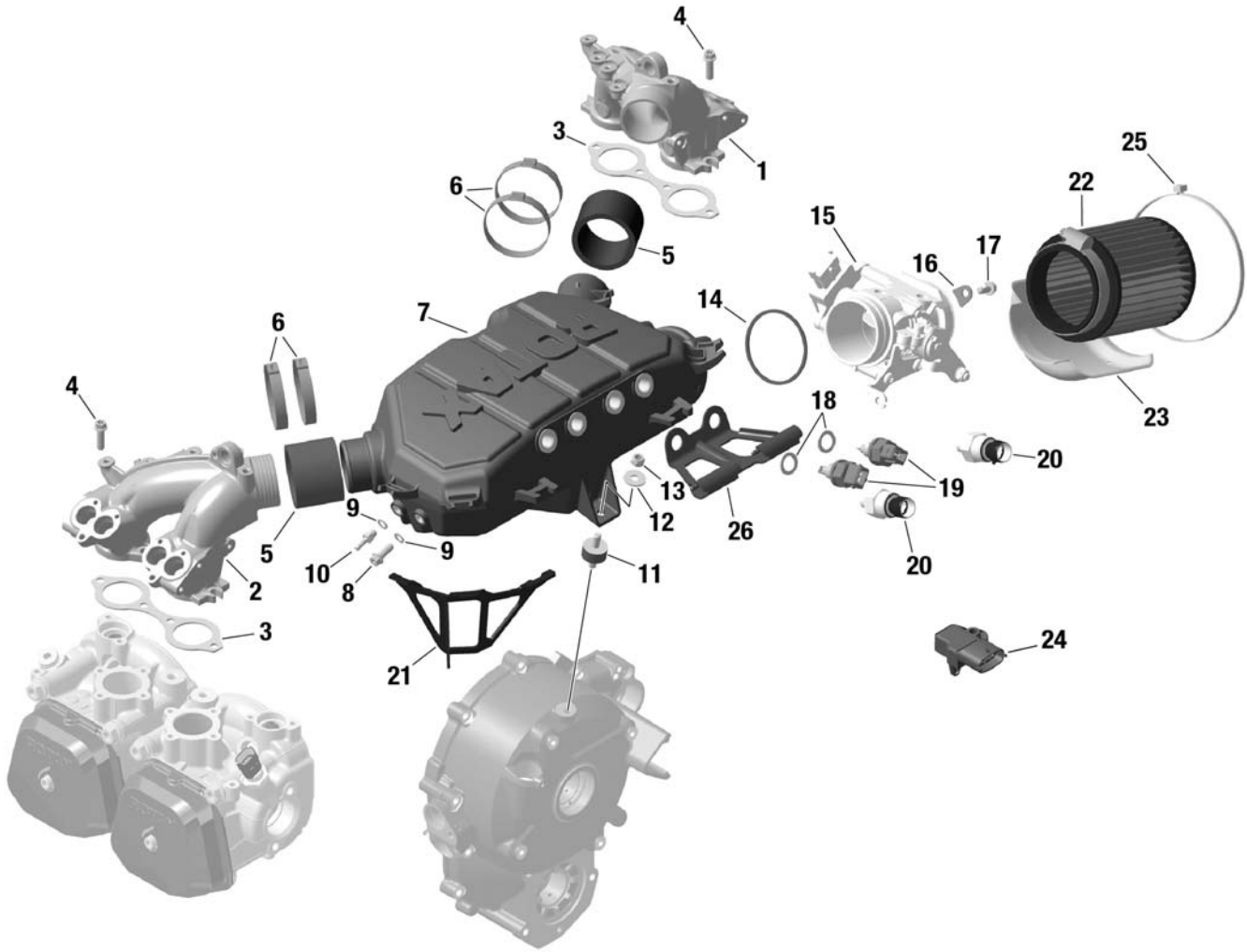


Fig. 73-10-00-1

08719_a

d06291.fm

BRP-Rotax

ILLUSTRATED PARTS CATALOG

Chapter) 73-10-00

INTAKE MANIFOLD, AIRBOX, THROTTLE BODY SOCKET

FIG. & ITEM NO.	STATUS	PART NO.	INDENT	Description	Parts per Engine		
					912 iS	912 iSc Sport	912 iS Sport
1 1		667400	.1	INTAKE MANIFOLD 1/3	1	-	-
2		667405	.1	INTAKE MANIFOLD 2/4	1	-	-
3		850091	.1	ISOLATING FLANGE	2b	-	-
4		440207	.1	HEX./TORX-FLANGE SCREW M6x20-SW8/T30	8	-	-
5		460420	.1	CONNECTING SOCKET	2	-	-
6		853028	.1	1-EAR-CLAMP 48.3-51.5 MM	4	-	-
7		667410	.1	AIRBOX	1	-	-
8		440164	.1	HEX. TORX-FLANGE SCREW M6x16	1	-	-
9		230415	.1	SEALING RING A 6x10	2	-	-
10		840670	.1	HOSE NIPPLE M6	1	-	-
11		860700	.1	RUBBER 20x10xM6	1	-	-
12		827968	.1	WASHER 6.4	1	-	-
13		842042	.1	LOCK NUT M6	1	-	-
14		850020	.1	RUBBER RING	1	-	-
15		685051	.1	THROTTLE BODY SOCKET ASSY.	1	-	-
16		953020	.1	SEPARATING PLATE	3	-	-
17		440147	.1	HEX./TORX-FLANGE SCREW M6x12-SW8T30	3	-	-
18		250015	.1	SEALING RING A12x18	2	-	-
19		222423	.1	TEMPERATURE SENSOR	2	-	-
20		664362	.1	PRESSURE SENSOR 2.0	2	-	-
21		951560	.1	CONNECTOR BRACKET	1	-	-
22		825750	.1	AIRFILTER	(1a)	-	-
23		975100	.1	HEATSHIELD	(1)	-	-

- Items not illustrated

d06291.fm

BRP-Rotax
ILLUSTRATED PARTS CATALOG

FIG. & ITEM NO.	STATUS	PART NO.	INDENT	Description	Parts per Engine		
					912 iS	912 iSc Sport	912 iS Sport
24		874654	.1	PRESSURE-/TEMP. SENSOR	1c	-	-
25		951500	.1	CLAMP 381x4.8 mm	(1)	-	-
26	N	651780	.1	CONNECTOR BRACKET	1	-	-

- Items not illustrated

- a Airfilter incl. hose clamp
- b Double flange
- c Ambient pressure and temperature

d06291.fm

BRP-Rotax
ILLUSTRATED PARTS CATALOG

NOTES

d06291.fm

BRP-Rotax
ILLUSTRATED PARTS CATALOG

912 iSc Sport
912 iS Sport

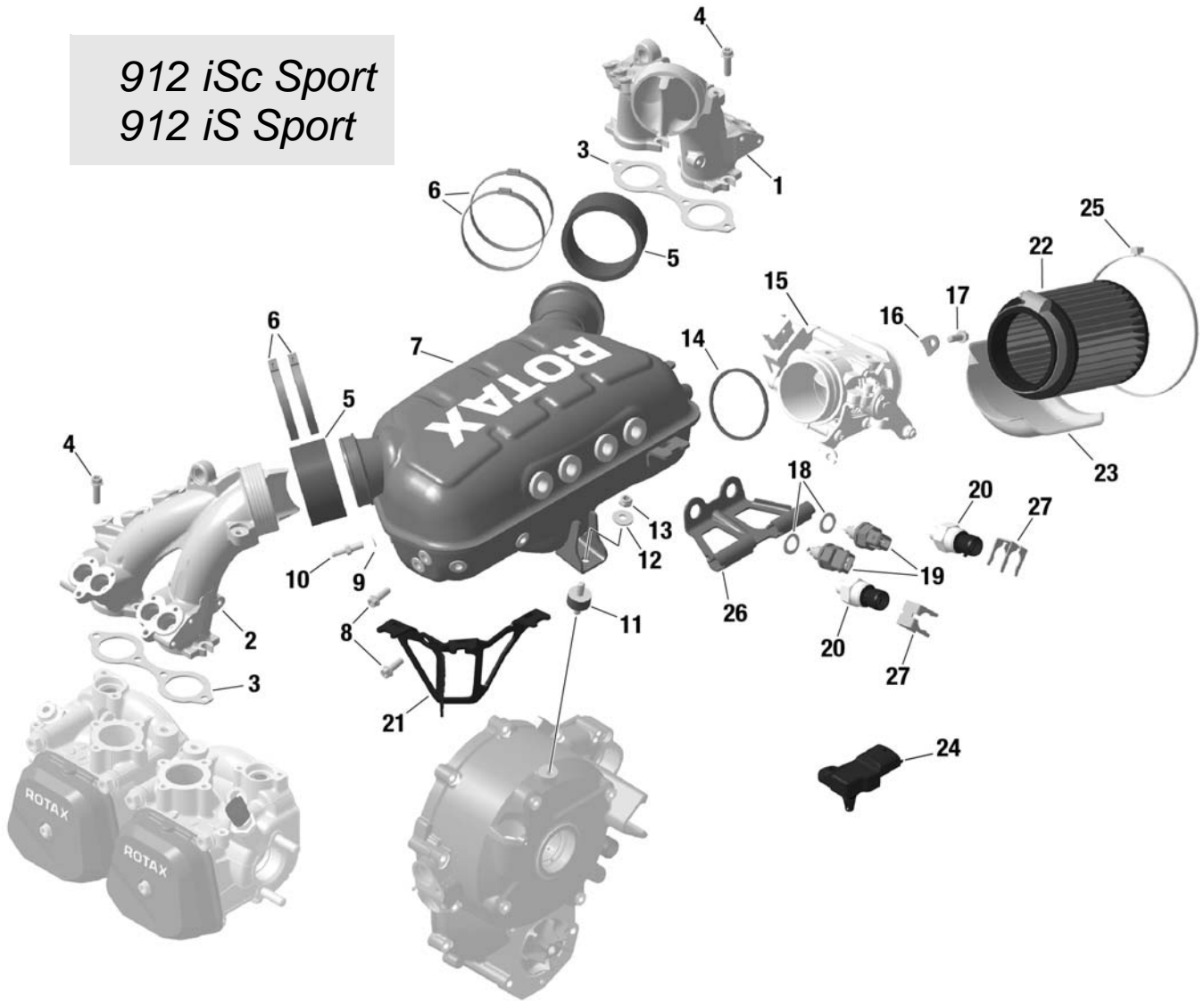


Fig. 73-10-00-2

10029

d06291.fm

BRP-Rotax

ILLUSTRATED PARTS CATALOG

Chapter) 73-10-00

**INTAKE MANIFOLD, AIRBOX, THROTTLE BODY SOCKET
912 iSc/iS Sport**

FIG. & ITEM NO.	STATUS	PART NO.	INDENT	Description	Parts per Engine	
					912 iSc Sport	912 iS Sport
2 1		667401	.1	INTAKE MANIFOLD 2/4§	1	1
2		667406	.1	INTAKE MANIFOLD 2/4	1	1
3		850091	.1	ISOLATING FLANGE	2a	2a
4		440207	.1	HEX./TORX-FLANGE SCREW M6x20-SW8/T30	8	8
5		460421	.1	CONNECTING SOCKET	2	2
6		953093	.1	1-EAR-CLAMP 66.3-69.5 MM	4	4
7		667411	.1	AIRBOX	1	1
8		440164	.1	HEX. TORX-FLANGE SCREW M6x16	4	4
9	s.v.	230415	.1	SEALING RING A 6x10	1d	1d
10	N	840672	.1	HOSE NIPPLE M6	1d	1d
	s.v.	840671		HOSE NIPPLE M6	1d	1d
11		860700	.1	RUBBER 20x10xM6	1	1
12		827968	.1	WASHER 6.4	1	1
13		842042	.1	LOCK NUT M6	1	1
14		850020	.1	RUBBER RING	1	1
15		685051	.1	THROTTLE BODY SOCKET ASSY.	1	1
16		953020	.1	SEPARATING PLATE	3	3
17		440147	.1	HEX./TORX-FLANGE SCREW M6x12-SW8T30	3	3
18		250015	.1	SEALING RING A12x18	2	2
19		222423	.1	TEMPERATURE SENSOR	2	2
20		664362	.1	PRESSURE SENSOR 2.0	2	2
21		951562	.1	CONNECTOR BRACKET	1	1
22		825750	.1	AIRFILTER	(1b)	(1b)
23		975100	.1	HEATSHIELD	(1)	(1)

- Items not illustrated

d06291.fm

BRP-Rotax
ILLUSTRATED PARTS CATALOG

FIG. & ITEM NO.	STATUS	PART NO.	INDENT	Description	Parts per Engine	
					912 iSc Sport	912 iS Sport
24		874654	.1	PRESSURE/TEMPERATURE SENSOR	1c	1c
25		951500	.1	CLAMP 381x4.8 mm	(1)	(1)
26		651780	.1	CONNECTOR BRACKET	1	1
27		638140	.1	CLAMP	2	2

- Items not illustrated

- a Double flange
- b Airfilter incl. hose clamp
- c Ambient pressure and temperature
- d 840671 + 230415 is replaced by 840672

d06291.fm

BRP-Rotax
ILLUSTRATED PARTS CATALOG

NOTES

d06291.fm

BRP-Rotax
ILLUSTRATED PARTS CATALOG

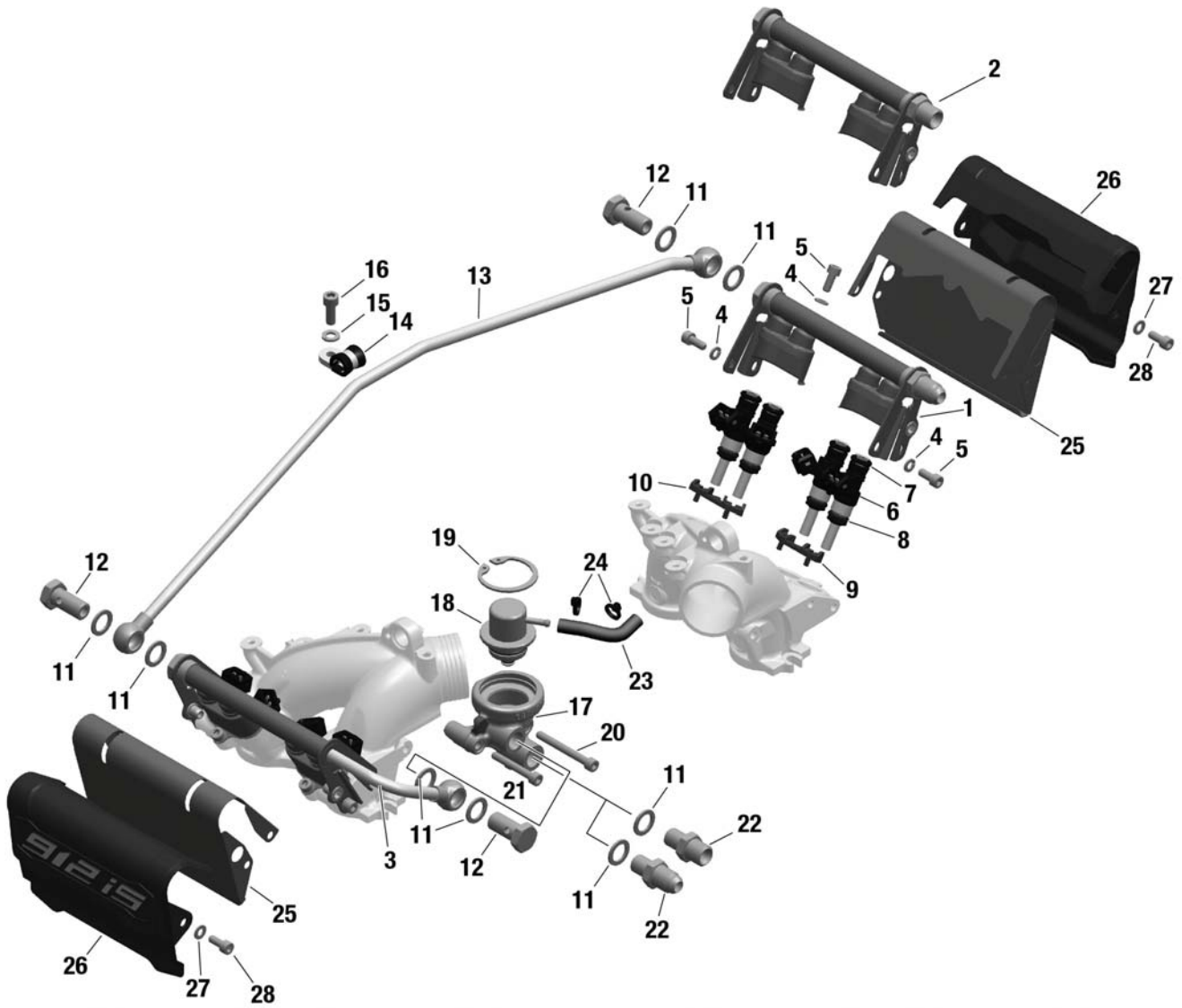


Fig. 73-10-00-3

08718

BRP-Rotax

ILLUSTRATED PARTS CATALOG

Chapter) 73-10-00

FUEL INJECTOR, FUEL RAIL, PRESSURE REGULATOR, FUEL RAIL COVER

FIG. & ITEM NO.	STATUS	PART NO.	INDENT	Description	Parts per Engine		
					912 iS	912 iSc Sport	912 iS Sport
3 1		874795	.1	FUELRAIL RIGHT UNF	1a	1a	1a
2		874799	.1	FUELRAIL RIGHT METRIC	1b	1b	1b
3		874797	.1	FUELRAIL LEFT	1	1	1
4		945750	.1	LOCK WASHER A5	11	11	11
5		640541	.1	ALLEN SCREW M5x12	11	11	11
6-8		874780	.1	FUEL INJECTOR	8	8	8
7		631220	..2	O-RING 7.52x3.51	8	8	8
8		431890	..2	O-RING 8.54x3.1 VITON B70	8	8	8
9		860042	.1	DAMPER LEFT	2	2	2
10		860040	.1	DAMPER RIGHT	2	2	2
11		250640	.1	SEALING RING A12x18-CU	7	7	7
12		641540	.1	BANJO BOLT	3	3	3
13		874802	.1	FUEL LINE ASSY.	1	1	1
14		853412	.1	CABLE CLAMP	1	1	1
15		827961	.1	WASHER 6.4	1	1	1
16		241239	.1	ALLEN SCREW M6x16	1	1	1
17		874770	.1	PRESSURE REGULATOR HOUSING	1	1	1
18		889262	.1	FUEL PRESSURE REGULATOR ASSY.	1	1	1
19		845650	.1	RETAINING RING 36x1.5	1	1	1
20		941791	.1	ALLENSCREW M5x45	1	1	1
21		841501	.1	ALLEN SCREW M5x35	1	1	1
22		840700	.1	ADAPTER 9/16 UNF/M12x1.5	1	1	1
22		856821	.1	ADAPTER M 14x1.5/M12x1.5 METRIC	1	1	1
23		960631	.1	TUBE 60 +/-3 MM	1	1	1

- Items not illustrated

d06291.fm

BRP-Rotax
ILLUSTRATED PARTS CATALOG

FIG. & ITEM NO.	STATUS	PART NO.	INDENT	Description	Parts per Engine		
					912 iS	912 iSc Sport	912 iS Sport
24		866718	.1	TIE WRAP 94x2.5 MM	2	2	2
25		975090	.1	HEAT SHIELD	2	2	2
26		975060	.1	COVERING FUELRAIL	2	2	2
27		939445	.1	SPRING WASHER 12x5.2x0.5	4	4	4
28		640541	.1	ALLEN SCREW M5x12	4	4	4

- Items not illustrated

- a Thread 9/16 18 UNF
- b Thread M14x1.5

d06291.fm

BRP-Rotax
ILLUSTRATED PARTS CATALOG

NOTES

d06291.fm

BRP-Rotax
ILLUSTRATED PARTS CATALOG

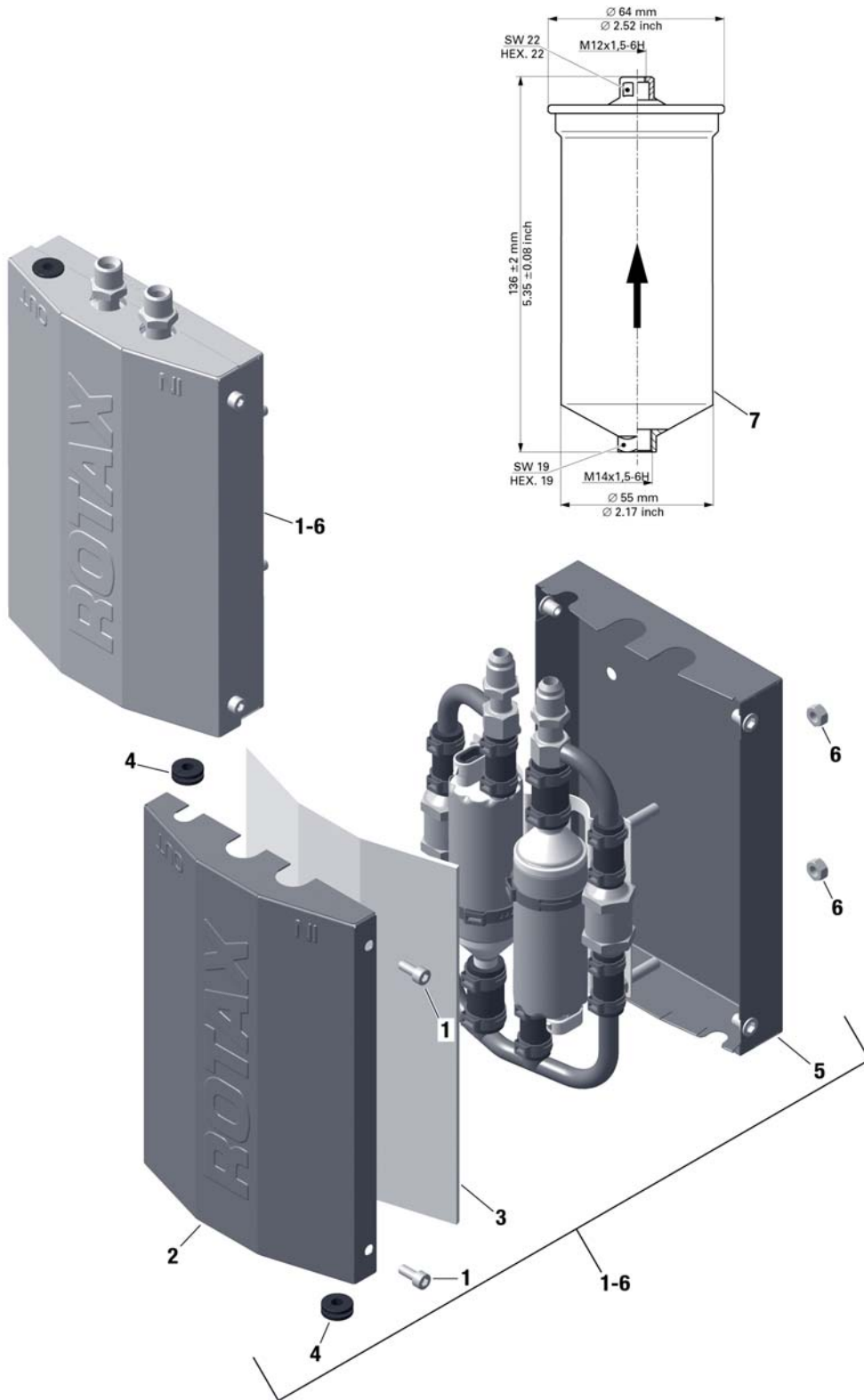


Fig. 73-10-00-4

09619_a

d06291.fm

BRP-Rotax
ILLUSTRATED PARTS CATALOG

Chapter) 73-10-00
FUEL PUMP ASSY. COVER

FIG. & ITEM NO.	STATUS	PART NO.	INDENT	Description	Parts per Engine		
					912 iS	912 iSc Sport	912 iS Sport
4	1-6	889696	.1	FUEL PUMP ASSY. UNF	1a	1a	1a
	1-6	889698	.1	FUEL PUMP ASSY. METRIC	1b	1b	1b
	1	640541	..2	ALLEN SCREW M5X12	4	4	4
	2	911790	..2	COVER	1	1	1
	3	975055	..2	HEAT PROTECTION MAT	1	1	1
	4	201160	..2	RUBBER GROMMET	2	2	2
	5	911700	..2	HOUSING	1	1	1
	6	242213	..2	HEX.NUT M6	8	8	8
	7	874060	.1	FUEL FILTER	1c		1c

- Items not illustrated

- a Thread 9/16 18 UNF
- b Thread M14x1.5
- c Fine filter (see Installation Manual)

09619_a

d06291.fm

BRP-Rotax
ILLUSTRATED PARTS CATALOG

NOTES

d06291.fm

BRP-Rotax
ILLUSTRATED PARTS CATALOG

NOTES

d06292.fm

BRP-Rotax
ILLUSTRATED PARTS CATALOG

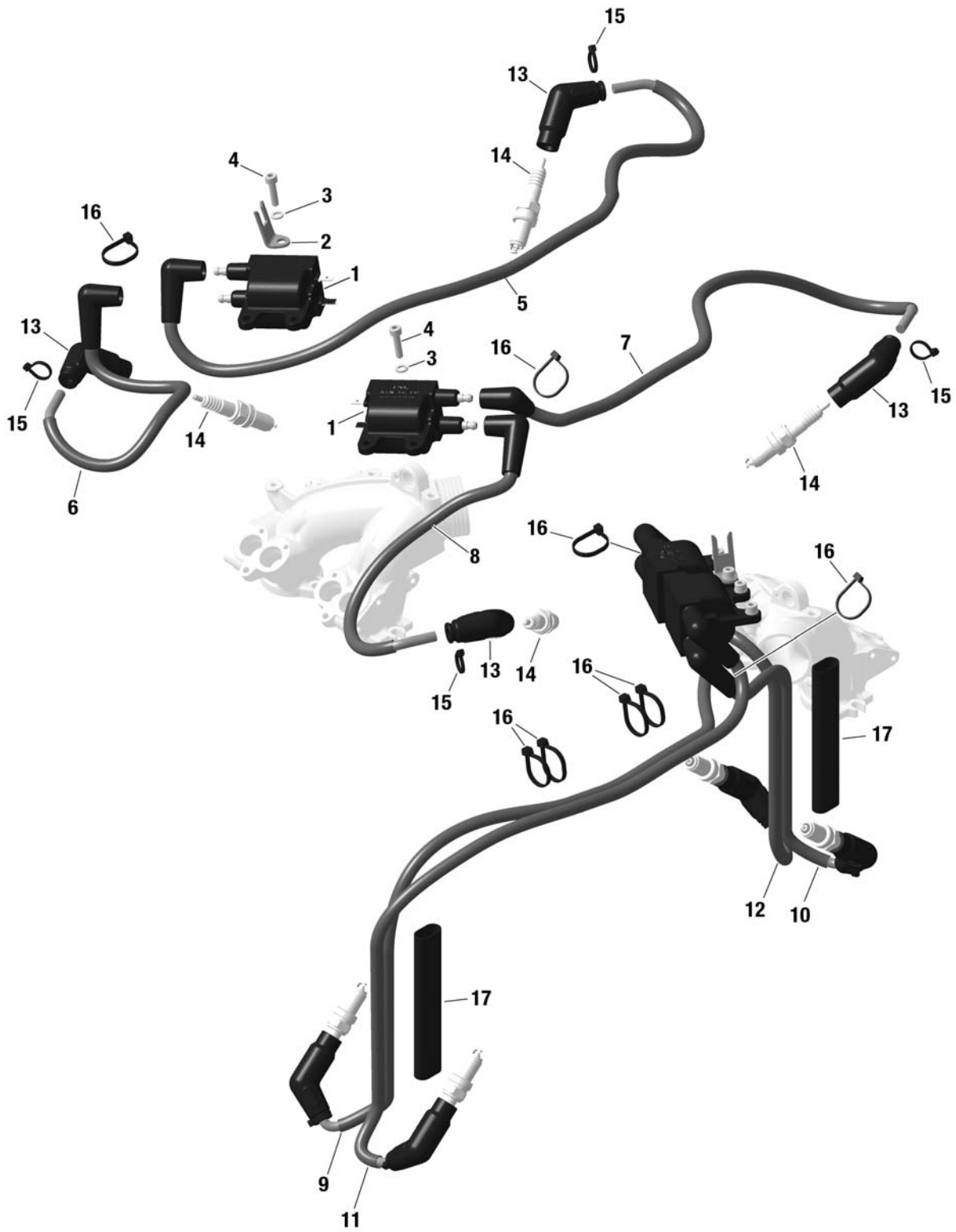


Fig. 74-20-00-1

08720_a

d06292.fm

BRP-Rotax

ILLUSTRATED PARTS CATALOG

Kapitel/Chapter) 74-20-00

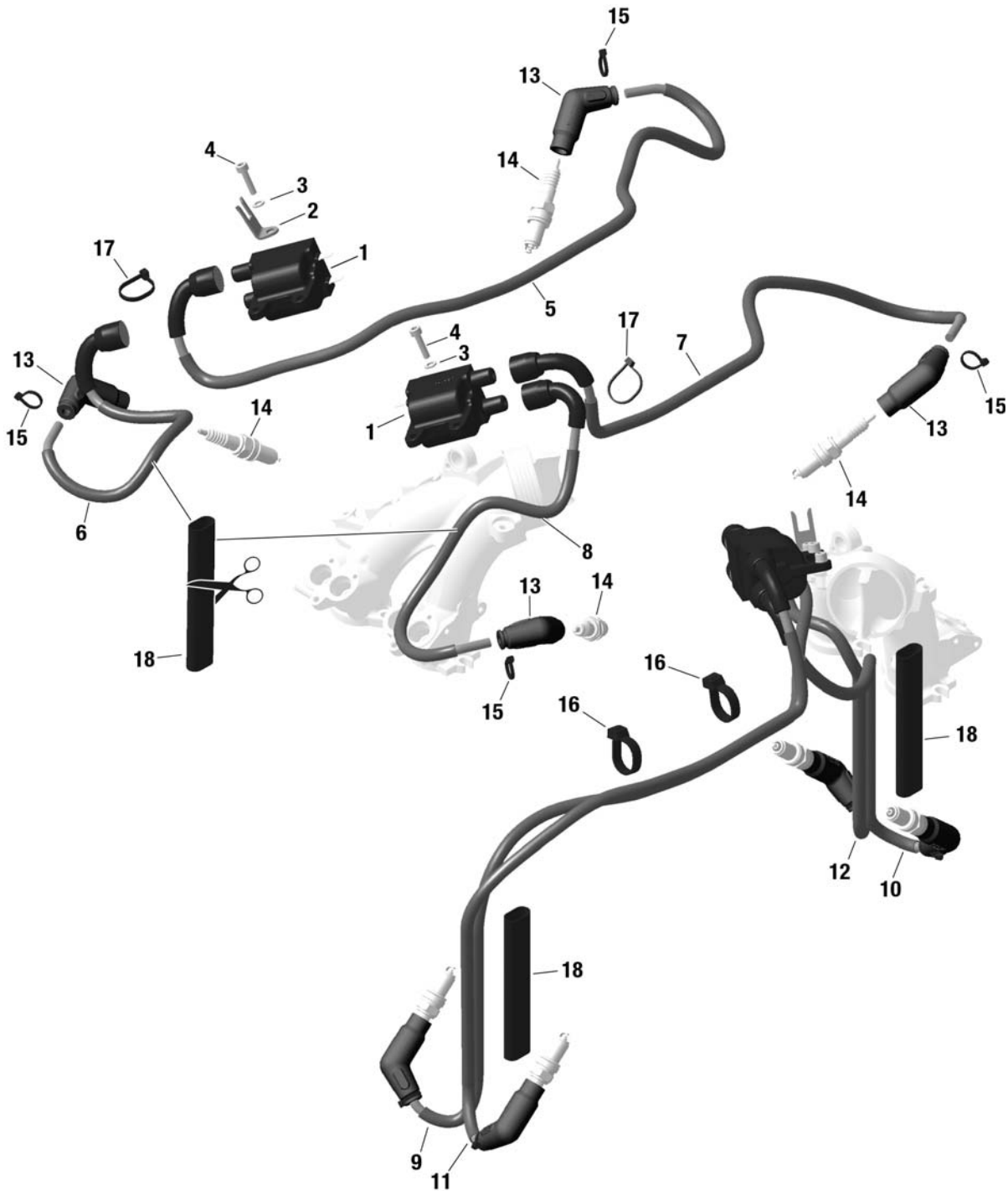
IGNITION COILS, IGNITION CABLE, SPARK PLUG CONNECTOR, SPARK PLUG

FIG. & ITEM NO.	STATUS	PART NO.	INDENT	Description	Parts per Engine		
					912 iS	912 iSc Sport	912 iS Sport
1 1	n.a.	665610	.1	DOUBLE IGNITION COIL	4c		
2		951490	.1	CONNECTOR BRACKET	2		
3		945750	.1	LOCK WASHER A5	8		
4		441341	.1	ALLEN SCREW M5x20	8		
5	n.a.	665550	.1	IGNITION CABLE ASSY.	1c		
6	n.a.	665551	.1	IGNITION CABLE ASSY.	1c		
7	n.a.	665552	.1	IGNITION CABLE ASSY.	1c		
8	n.a.	665553	.1	IGNITION CABLE ASSY.	1c		
9	n.a.	665554	.1	IGNITION CABLE ASSY.	1c		
10	n.a.	665555	.1	IGNITION CABLE ASSY.	1c		
11	n.a.	665556	.1	IGNITION CABLE ASSY.	1c		
12	n.a.	665557	.1	IGNITION CABLE ASSY.	1c		
13	N s.v.	265249 265248	.1	SPARK PLUG CONNECTOR	8		
14	N s.v.	297656 297940	.1	SPARK PLUG 12	8		
15		866718	.1	TIE WRAP 94x2.5 MM	8		
16		866714	.1	TIE WRAP 142x3.2 MM	4		
17		860734	.1	GLASS FIBER-SILICON SHEATING 120	2		

- Items not illustrated

d06292.fm

BRP-Rotax
ILLUSTRATED PARTS CATALOG



10003

Fig. 74-20-00-2

d06292.fm

BRP-Rotax

ILLUSTRATED PARTS CATALOG

Kapitel/Chapter) 74-20-00

**IGNITION COILS, IGNITION CABLE, SPARK PLUG CONNECTOR, SPARK PLUG
912 iS Sport**

FIG. & ITEM NO.	STATUS	PART NO.	INDENT	Description	Parts per Engine		
					912 iS	912 iSc Sport	912 iS Sport
2 1		665612	.1	DOUBLE IGNITION COIL	4b	4b	4b
2		951490	.1	CONNECTOR BRACKET	2	2	2
3		945750	.1	LOCK WASHER A5	8	8	8
4		441341	.1	ALLEN SCREW M5x20	8	8	8
5-12		665558	.1	IGNITION CABLE SET	1a	1a	1a
13		265248	.1	SPARK PLUG CONNECTOR	8	8	8
14	N s.v.	297656 297940	.1	SPARK PLUG 12	8	8	8
15		866718	.1	TIE WRAP 94x2.5 MM	8	8	8
16		866716	.1	TIE WRAP 203x7.6 MM	2	2	2
17		866714	.1	TIE WRAP 142x3.2 MM	4	4	4
18		860734	.1	GLASS FIBER-SILICON SHEATING 120	3	3	3

- Items not illustrated

- a Set for double ignition coil with high tension connector wood screw included:
8 ignition cable assy., 8 protective cap and 8 glass fiber-silicon sheating.
- b Double ignition coil with high tension connector wood screw use with part no. 665558.
- c Double ignition coil and cable with plug connection

d06292.fm

BRP-Rotax
ILLUSTRATED PARTS CATALOG

NOTES

d06292.fm

BRP-Rotax
ILLUSTRATED PARTS CATALOG

NOTES

d06293.fm

BRP-Rotax
ILLUSTRATED PARTS CATALOG

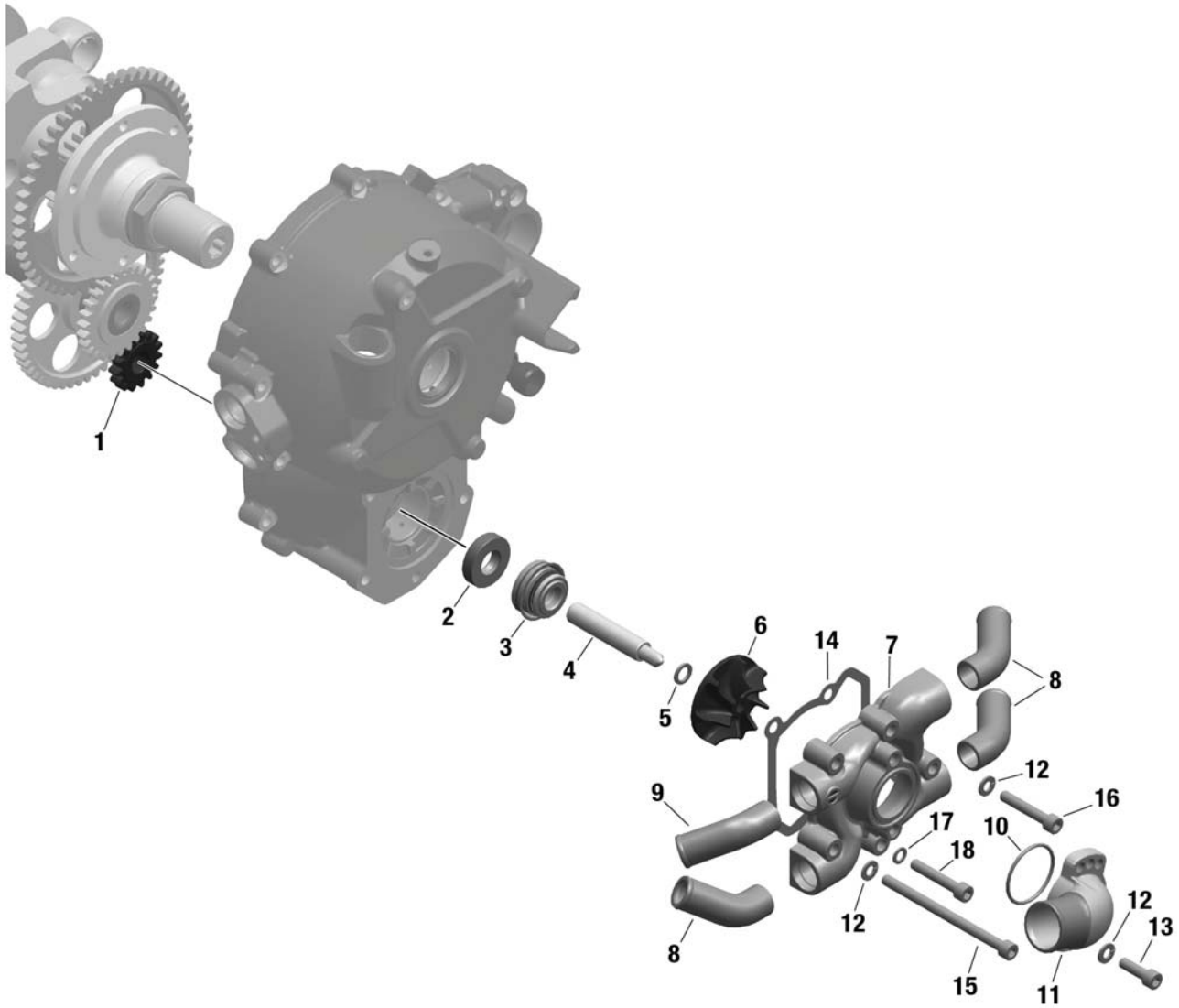


Fig. 75-20-00-1

08721

d06293.fm

BRP-Rotax
ILLUSTRATED PARTS CATALOG

Chapter) 75-20-00
WATER PUMP WITH DRIVE

FIG. & ITEM NO.	STATUS	PART NO.	INDENT	Description	Parts per Engine		
					912 iS	912 iSc Sport	912 iS Sport
1	1	834135	.1	WATER PUMP GEAR 15 T	1	1	1
	2	850977	.1	OIL SEAL A 12x30x7 FPM	1	1	1
	3	850946	.1	ROTARY SEAL	1	1	1
	4	837111	.1	PUMP SHAFT	1	1	1
	5	926274	.1	WASHER 8.2/12.5/1.5	1	1	1
	6	922224	.1	IMPELLER	1	1	1
	7	922202	.1	WATER PUMP HOUSING	1	1	1
	8	922232	.1	BENT SOCKET 45 DEGREES	3	3	3
	9	922234	.1	BENT SOCKET 20 DEGREES	1	1	1
	10	230020	.1	O-RING 32x2	1	1	1
	11	922218	.1	WATER INLET ELEBOW	1	1	1
	12	827961	.1	WASHER 6.4	6	6	6
	13	241930	.1	ALLEN SCREW M6x20	2	2	2
	14	850981	.1	GASKET	1	1	1
	15	241481	.1	ALLEN SCREW M6x90	2	2	2
	16	241811	.1	ALLEN SCREW M6x35	2	2	2
	17	230415	.1	SEALING RING A 6x10	1	1	1
	18	241813	.1	ALLEN SCREW M6x35 STAINLESS	1	1	1

- Items not illustrated

d06293.fm

BRP-Rotax
ILLUSTRATED PARTS CATALOG

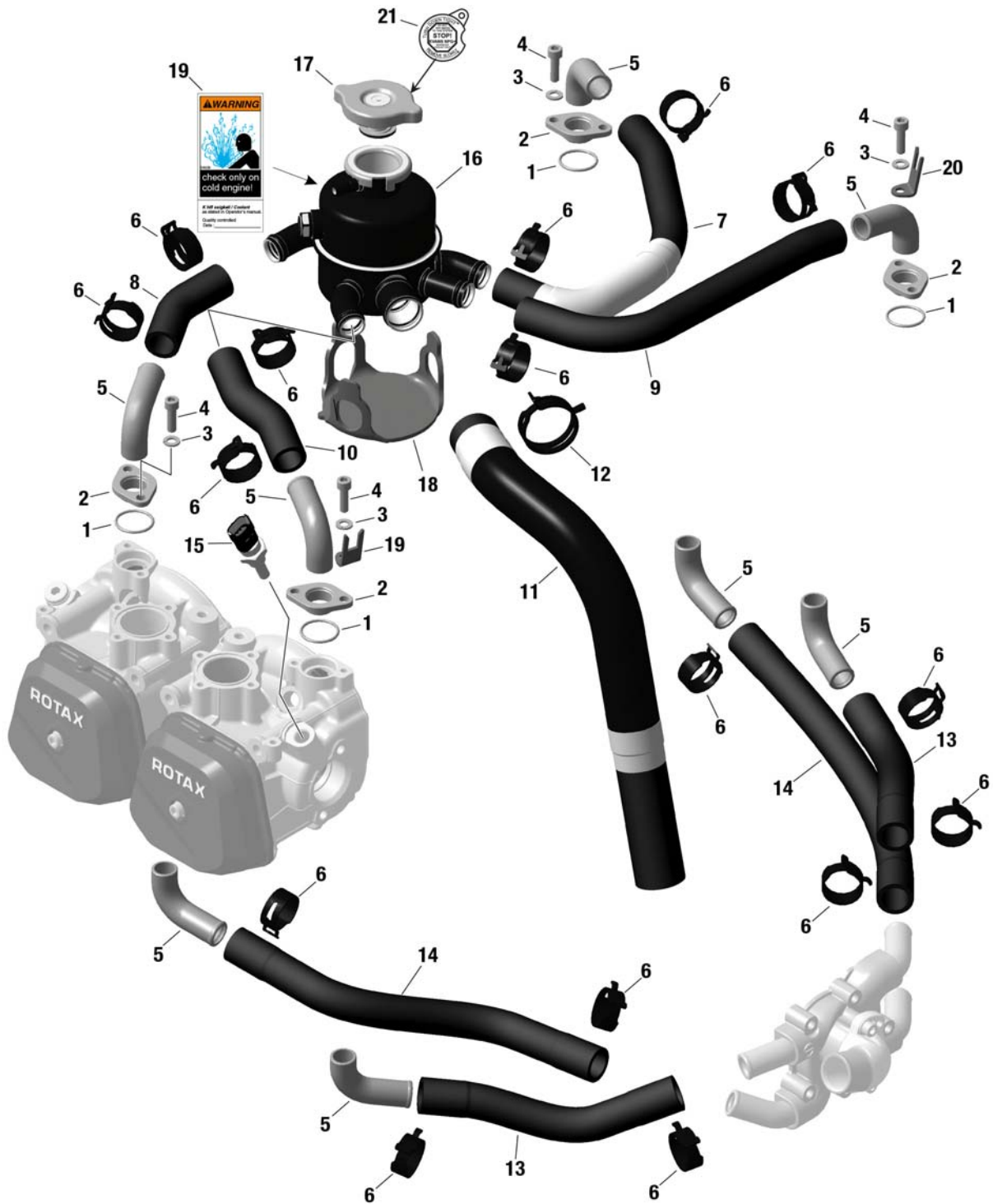


Fig. 75-20-00-2

08722

d06293.fm

BRP-Rotax

ILLUSTRATED PARTS CATALOG

Chapter) 75-20-00

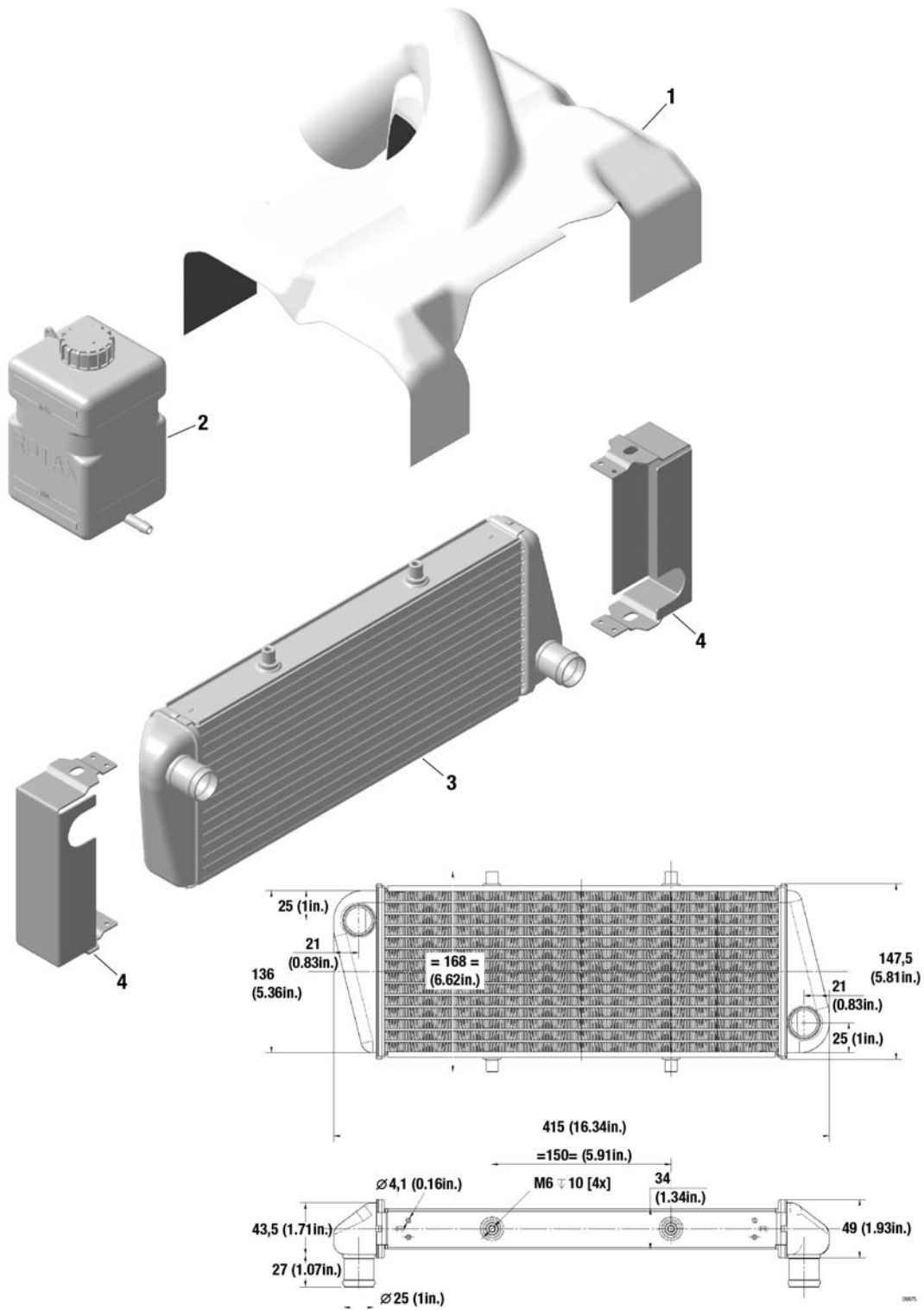
EXPANSION TANK WITH HOSES AND CONNECTIONS

FIG. & ITEM NO.	STATUS	PART NO.	INDENT	Description	Parts per Engine		
					912 iS	912 iSc Sport	912 iS Sport
2 1		950180	.1	O-Ring 19-2	4	4	
2		922303	.1	FLANGE	4	4	
3		827961	.1	WASHER 6.4	8	8	
4		241930	.1	ALLEN SCREW M6x20	8	8	
5		922230	.1	BENT SOCKET 80 DEGREES	8	8	
6		851645	.1	SELF COMPENSATING CLAMP 25	16	16	
7		822420	.1	FORM HOSE 1	1	1	
8		822430	.1	FORM HOSE 2	1	1	
9		822440	.1	FORM HOSE 3	1	1	
10		822445	.1	FORM HOSE 4	1	1	
11		822450	.1	FORM HOSE	1	1	
12		951350	.1	SELF COMPENSATING CLAMP 35	1	1	
13		922360	.1	WATER TUBE 180 +/-3 MM	2	2	
14		922362	.1	WATER TUBE 280 +/-3 MM	2	2	
15		965537	.1	TEMPERATURE SENSOR	1	1	
16-19		922667	.1	EXPANSION TANK ASSY.	1	1	
17	N n.a.	922072 922070	..2	RADIATOR CAP WITH GASKET 1.2 bar / 17.4 psi	1	1	
18		860827	..2	RUBBER PLATE	1	1	
19		897506	..2	WARNING LABEL	2	2	
20		951490	.1	CONNECTOR BRACKET	2	2	
21		898490	.1	WARNING LABEL EVANS COOLANT	1	1	

- Items not illustrated

d06293.fm

BRP-Rotax
ILLUSTRATED PARTS CATALOG



10004

Fig. 75-20-00-3

d06293.fm

BRP-Rotax

ILLUSTRATED PARTS CATALOG

Chapter) 75-20-00

COOLING AIR BAFFLE, OVERFLOW BOTTLE WITH CAP, RADIATOR

FIG. & ITEM NO.	STATUS	PART NO.	INDENT	Description	Parts per Engine		
					912 iS	912 iSc sport	912 iS Sport
3 1		975795	.1	COOLING AIR BAFFLE	1a	1a	1a
2		922327	.1	OVERFLOW BOTTLE WITH CAP	1	1	1
3		997083	.1	RADIATOR	1	1	1
4		881530	.1	RADIATOR RETROFIT KIT	1	1	1

- Items not illustrated

a not applicable with vacuum pump

d06293.fm

BRP-Rotax
ILLUSTRATED PARTS CATALOG

NOTES

d06293.fm

BRP-Rotax
ILLUSTRATED PARTS CATALOG

NOTES

d06294.fm

BRP-Rotax

ILLUSTRATED PARTS CATALOG

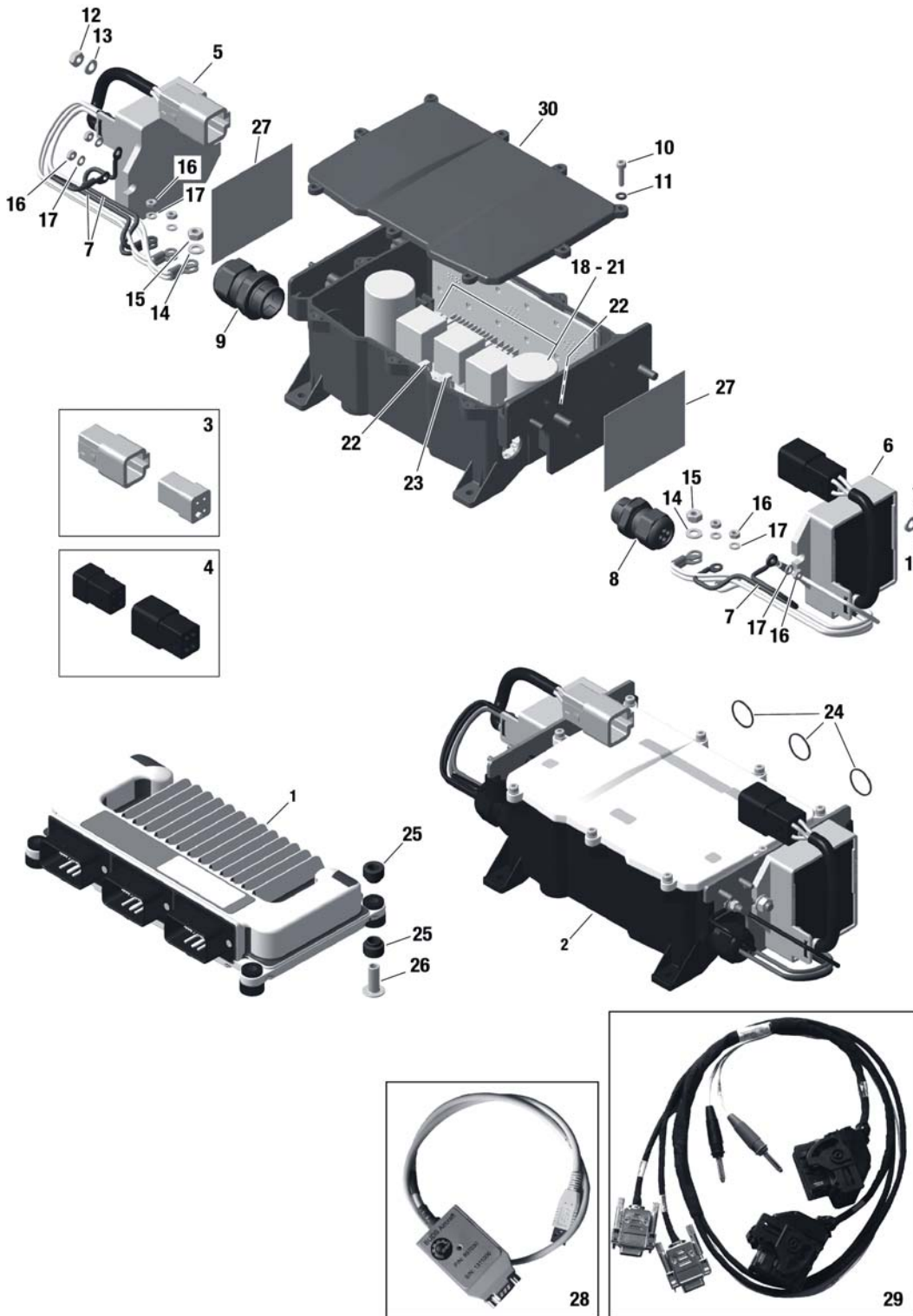


Fig. 76-10-00-1

08725_a

d06294_fm

BRP-Rotax

ILLUSTRATED PARTS CATALOG

Chapter) 76-10-00

ENGINE CONTROL UNIT, FUSE BOX REGULATOR

FIG. & ITEM NO.	STATUS	PART NO.	INDENT	Description	Parts per Engine		
					912 iS	912 iSc Sport	912 iS Sport
1 1	n.a.	881250	.1	ENGINE CONTROL UNIT ASSY. WRAPPED UP	1a	-	-
1	s.v.	881251	.1	ENGINE CONTROL UNIT ASSY. WRAPPED UP	1b	-	-
1	N	881252	.1	ENGINE CONTROL UNIT ASSY. WRAPPED UP	-	1c	1c
2		881321	.1	FUSE BOX WRAPPED UP	1e	1e	1e
3		866422	.1	CONNECTOR SET GREY	1d	1d	1d
4		866420	.1	CONNECTOR SET BLACK	1d	1d	1d
5		864395	.1	REGULATOR B-CONNECTOR GREY	1	1	1
6		864392	.1	REGULATOR A-CONNECTOR BLACK	1	1	1
7		866440	.1	MASS CABLE ASSY.	3	3	3
8		201370	.1	SKINTOP CLICK 20	1	1	1
9		201375	.1	SKINTOP CLICK 25	1	1	1
10		840763	.1	ALLEN SCREW M4x16	9	9	9
11		827230	.1	PLASTIC WASHER M4	9	9	9
12		842042	.1	LOCK NUT M6	4	4	4
13		244213	.1	WASHER 6.4	4	4	4
14		927573	.1	WASHER 5.3	2	2	2
15		842033	.1	LOCK NUT M5	2	2	2
16		242538	.1	LOCK NUT M4	7	7	7
17		244078	.1	WASHER 4.3	7	7	7
18		866450	.1	MINI FUSE 2A	2	2	2
19		866452	.1	MINI FUSE 5A	10	10	10
20		866454	.1	MINI FUSE 7.5A	2	2	2
21		866456	.1	MINI FUSE 10A	5	5	5

- Items not illustrated

d06294.fm

BRP-Rotax
ILLUSTRATED PARTS CATALOG

FIG. & ITEM NO.	STATUS	PART NO.	INDENT	Description	Parts per Engine		
					912 iS	912 iSc Sport	912 iS Sport
22		866490	.1	ATO-FUSE 20A	1	1	1
23		866492	.1	ATO-FUSE 35A	1	1	1
24		931110	.1	SAILINGRING	3	3	3
25		201460	.1	RUBBER SLEEVE	8	8	8
26		947540	.1	SPACER	4	4	4
27		282870	.1	HEAT TRANSFER PAD	2	2	2
28		864021	.1	B.U.D.S SET LEVEL 1 Aircraft Viewer for pilots/user	1	1	1
28		864022	.1	B.U.D.S SET LEVEL 2 Aircraft Service for maintenance personnel	1	1	1
28		864023	.1	B.U.D.S SET LEVEL 3 Aircraft Maintenance for distributors/OEM	1	1	1
29		864280	.1	SERVICE WIRING HARNESS ASSY.	1	1	1
30		201690	.1	COVER	1	1	1

- Items not illustrated

- a Engine control unit with software SW 25.
See SB-912 i-002iS. Only for model 912 iS.
- b Engine control unit with software SW 29.
See SB-912 i-002iS. Only for model 912 iS.
- c Engine control unit with software SW 130.
Only for model 912 iS Sport.
- d Connector set consisting of all parts for regulator and stator side
- e With M6 thread at regulator B

d06294.fm

BRP-Rotax
ILLUSTRATED PARTS CATALOG

NOTES

d06295.fm

BRP-Rotax
ILLUSTRATED PARTS CATALOG

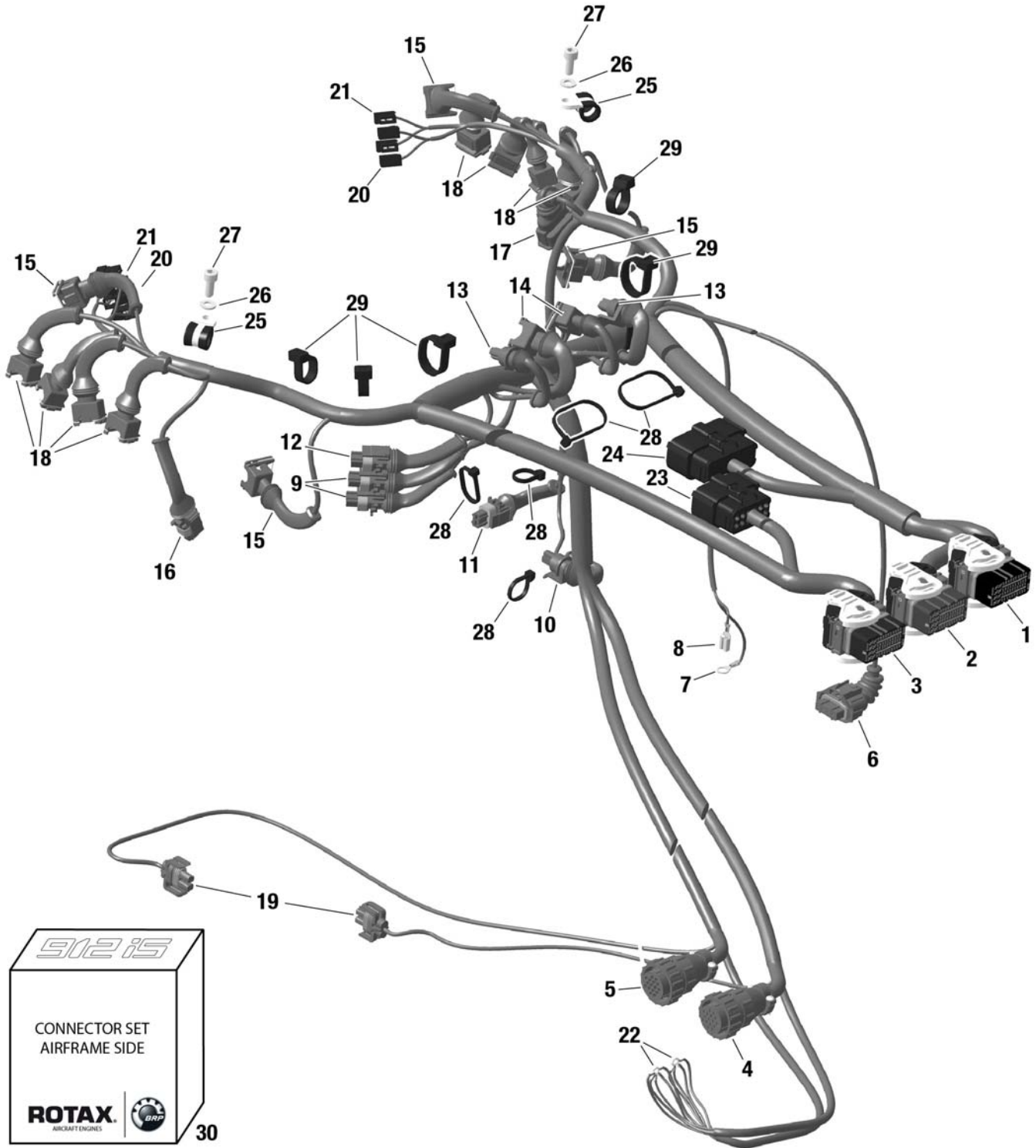


Fig. 76-50-00-1

08724_a

d06295.fm

BRP-Rotax

ILLUSTRATED PARTS CATALOG

**Chapter) 76-50-00
WIRING HARNESS**

FIG. & ITEM NO.	STATUS	PART NO.	INDENT	Description	Parts per Engine		
					912 iS	912 iSc Sport	912 iS Sport
1 1-24		665571	.1	WIRING HARNESS	1	1	1
1	n.a.		..2	ECU LANE A1 CONNECTOR	1	1	1
2	n.a.		..2	ECU LANE A2 CONNECTOR	1	1	1
3	n.a.		..2	ECU LANE B CONNECTOR	1	1	1
4-5		881312	..2	CONNECTOR SET FUSE BOX	1	1	1
5		xxx	..2	FUSE BOX LANE B CONNECTOR	1	1	1
6		881306	..2	CONNECTOR SET AAPTS	1	1	1
7		964059	..2	CABLE SHOE M6	1	1	1
8		864011	..2	FASTON CONNECTOR 6.3X0.8	1	1	1
9		881298	..2	CONNECTOR SET CPS	2	2	2
10		881302	..2	CONNECTOR SET OPS AND MAPS	1	1	1
11		881296	..2	CONNECTOR SET CTS A OTS A KNOCK	1	1	1
12		xxx	..2	CONNECTOR SET CTS A OTS A KNOCK See item no. 11	1	1	1
13		xxx	..2	CONNECTOR SET OPS AND MAPS See item no. 10	2	2	2
14		881292	..2	CONNECTOR SET MATS	2	2	2
15		881290	..2	CONNECTOR SET EGT	4	4	4
16		xxx	..2	CONNECTOR SET CTS A OTS A KNOCK See item no. 11	1	1	1
17		881308	..2	CONNECTOR SET TPS	1	1	1
18		881300	..2	CONNECTOR SET INJ	8	8	8
19		881304	..2	CONNECTOR SET FUEL PUMP	2	2	2

- Items not illustrated

d06295.fm

BRP-Rotax
ILLUSTRATED PARTS CATALOG

FIG. & ITEM NO.	STATUS	PART NO.	INDENT	Description	Parts per Engine		
					912 iS	912 iSc Sport	912 iS Sport
20-21		881310	..2	CONNECTOR SET IGNITION COIL	4	4	4
21		xxx	..2	COIL CONNECTOR	4	4	4
22		965700	..2	CABLE SHOE M4	4	4	4
23-24		881294	..2	CONNECTOR SET HIC A AND HIC B	1	1	1
24		xxx	..2	HIC A CONNECTOR	1	1	1
25		251691	.1	CABLE CLAMP 12/M6	2	2	2
26		827961	.1	WASHER 6.4 DIN 125	2	2	2
27		840391	.1	ALLEN SCREW M6X14	2	2	2
28		866716	.1	TIE WRAP 203x7.6 MM	6	6	6
29		866714	.1	TIE WRAP 142x3.2 MM	6	6	6
30		881240	.1	PARTS KIT 912 iS	1	1	1

- Items not illustrated

d06295.fm

BRP-Rotax
ILLUSTRATED PARTS CATALOG

NOTES

d06296.fm

BRP-Rotax
ILLUSTRATED PARTS CATALOG

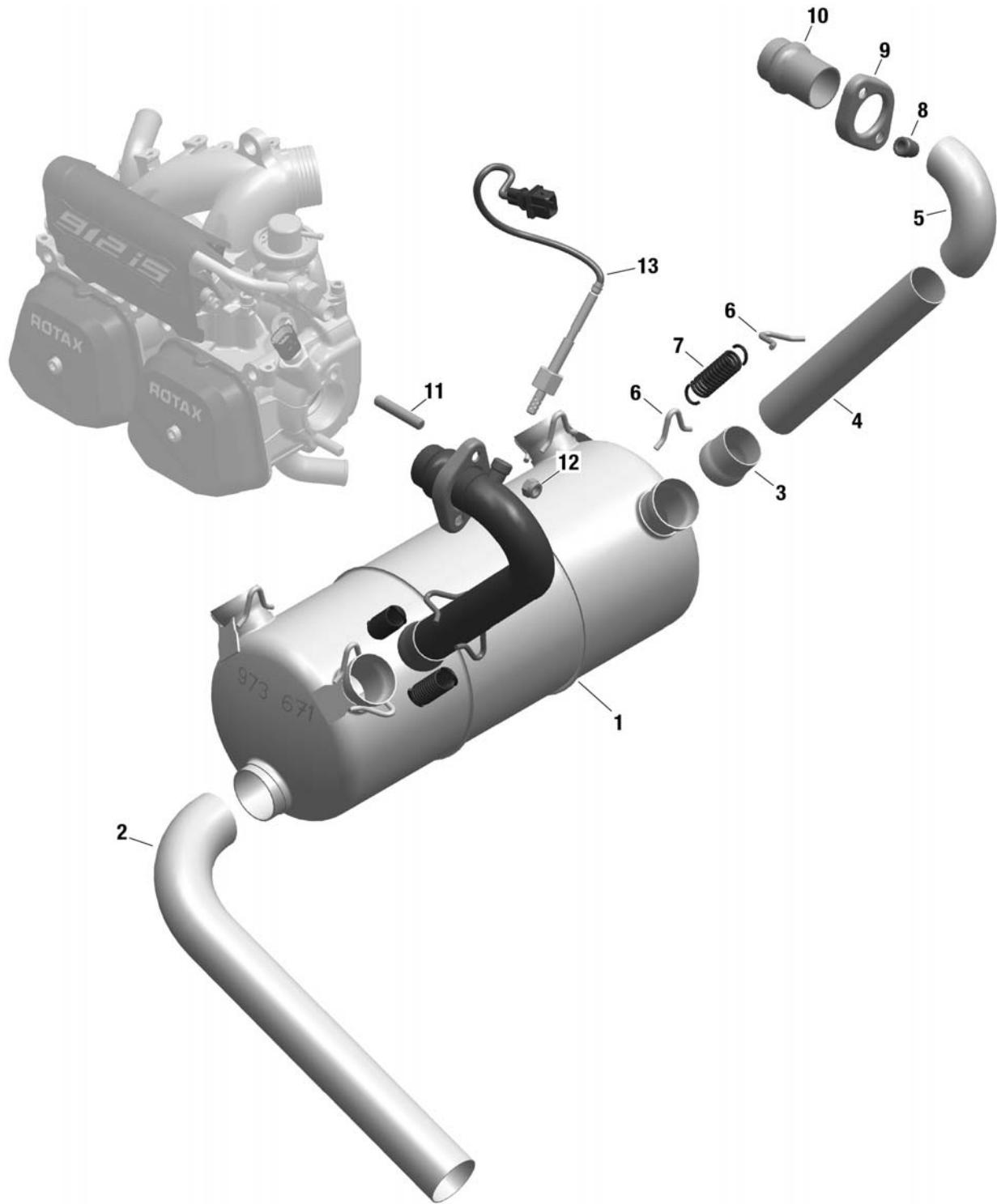


Fig. 78-10-00-1

08729

d06296.fm

BRP-Rotax

ILLUSTRATED PARTS CATALOG

Chapter) 78-10-00

EXHAUST SYSTEM, EXHAUST TEMPERATURE SENSOR

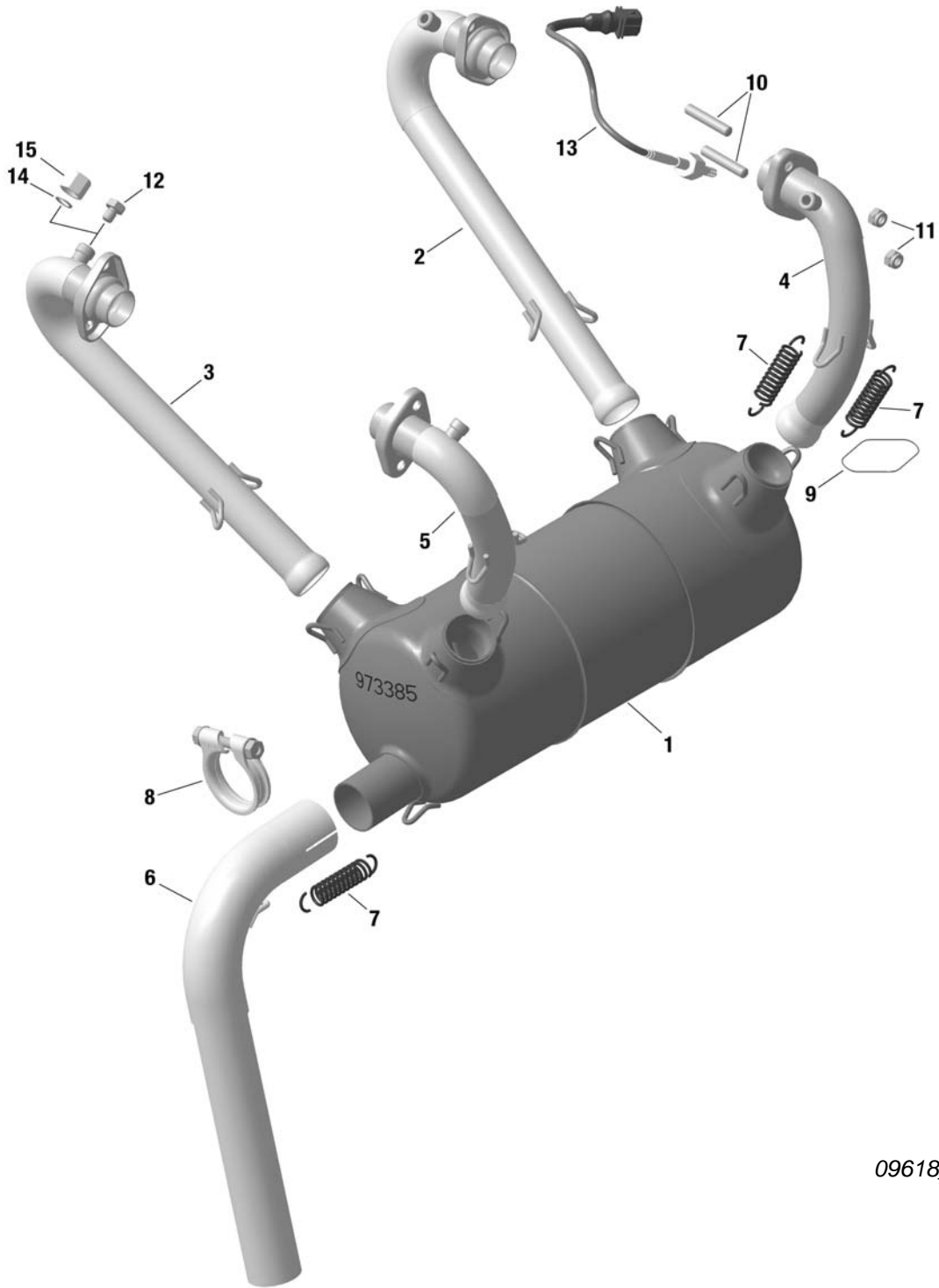
FIG. & ITEM NO.	STATUS	PART NO.	INDENT	Description	Parts per Engine		
					912 iS	912 iSc Sport	912 iS Sport
1	1-7	973676	.1	EXHAUST SYSTEM	1b		1b
	1	973674	..2	MUFFLER ASSY.	1b		1b
	2	978601	..2	EXHAUST ELBOW, STAINLESS	1b		1b
	3	978521	..2	BALL JOINT, MALE STAINLESS	4b		4b
	4	978998	..2	EXHAUST TUBE 800 MM, STAINLESS	4b		4b
	5	978496	..2	EXH.ELBOW ASSY. 360 DEGR.STAINL.	2ab		2ab
	6	853356	..2	HOOK	16b		16b
	7	938795	..2	SPRING 66 MM	8b		8b
	8	951360	.1	SENSOR HOLDER	4b		4b
	9	978243	.1	EXHAUST FLANGE	4b		4b
	10	978252	.1	EXHAUST SOCKET	4b		4b
	11	xxx	.1	STUD M8x23/20 See chap. 78-10-00 page 5	8	8	8
	12	xxx	.1	LOCK NUT M8-SW12 See chap. 78-10-00 page 5	8	8	8
	13	xxx	.1	TEMPERATURE SENSOR See chap. 78-10-00 page 5	4	4	4

- Items not illustrated

- a 360° circular ring
- b not certified for 912 iSc Sport

d06296.fm

BRP-Rotax
ILLUSTRATED PARTS CATALOG



09618_c

Fig. 78-10-00-2

d06296.fm

BRP-Rotax
ILLUSTRATED PARTS CATALOG
Chapter) 78-10-00
EXHAUST SYSTEM (STANDARD)

FIG. & ITEM NO.	STATUS	PART NO.	INDENT	Description	Parts per Engine		
					912 iS	912 iSc Sport	912 iS Sport
2 1-8		973380	.1	EXHAUST ASSORTMENT STAINLESS STEEL	1	1	1
1		973385	..2	MUFFLER ASSY.	1	1	1
2		973010	..2	EXHAUST PIPE ASSY. CLY. 1	1	1	1
3		973020	..2	EXHAUST PIPE ASSY. CLY. 2	1	1	1
4		973030	..2	EXHAUST PIPE ASSY. CLY. 3	1	1	1
5		973040	..2	EXHAUST PIPE ASSY. CLY. 4	1	1	1
6		973390	..2	EXHAUST BELOW, STAINLESS	1	1	1
7		938795	..2	SPRING 66 MM	9	9	9
8		951550	..2	EXHAUST PIPE CLAMP ASSY.	1	1	1
9		297555	.1	SAFETY WIRE 0.8	AR	AR	AR
10		940366	.1	STUD M8x23/20	8	8	8
11		842950	.1	LOCK NUT M8-WS12	8	8	8
12		841113	.1	HEX. SCREW M8X1X10	4	4	4
13		866261	.1	TEMPERATURE SENSOR	4	4	4
14	s.v.	230150	.1	SEALING RING A 10X14	4	4	4
15	s.v.	942273	.1	CAP NUT M14X1.5	4	4	4

- Items not illustrated

d06296.fm

BRP-Rotax
ILLUSTRATED PARTS CATALOG

NOTES

d06296.fm

BRP-Rotax
ILLUSTRATED PARTS CATALOG

NOTES

d06297.fm

BRP-Rotax
ILLUSTRATED PARTS CATALOG

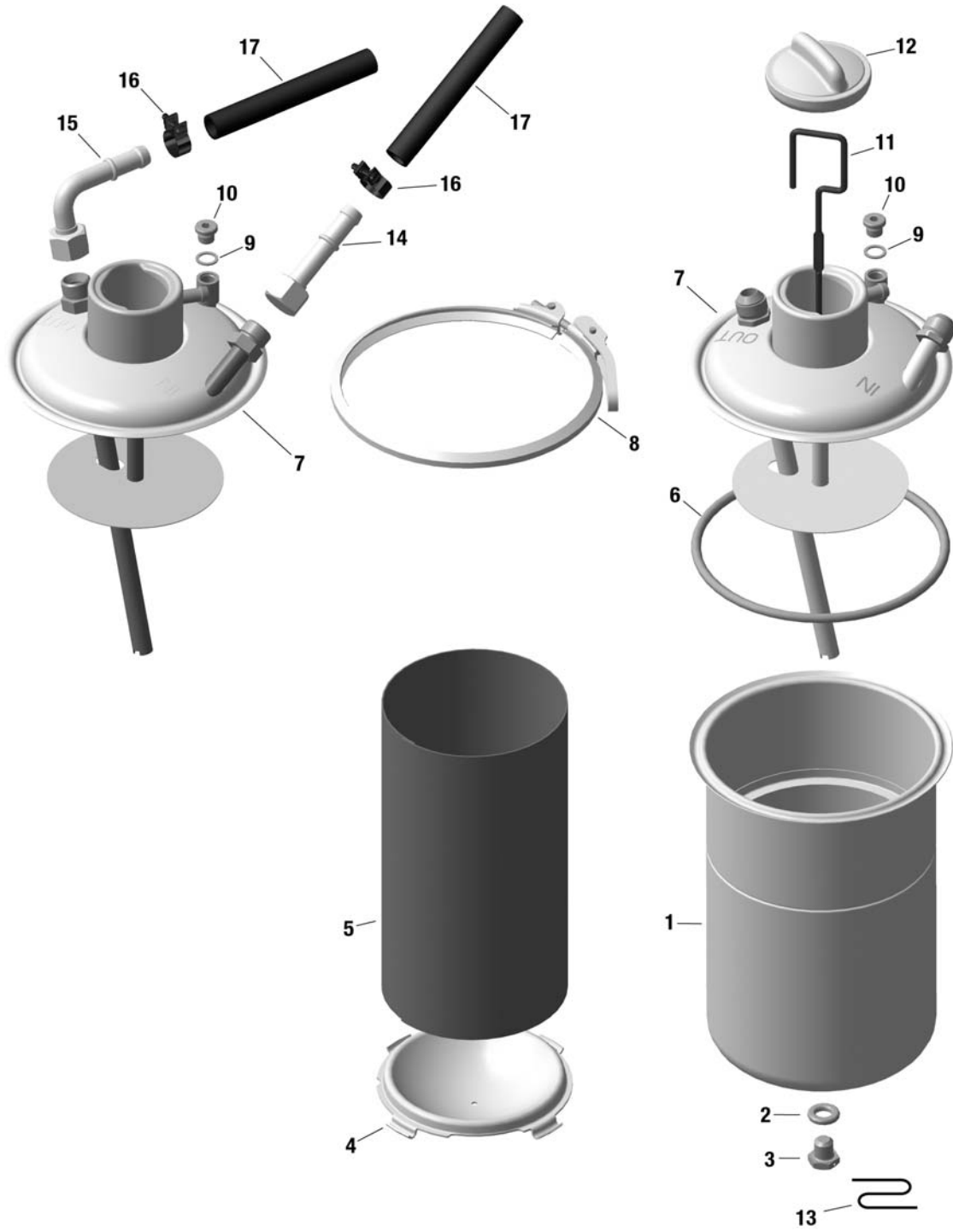


Fig. 79-20-00-1

08731

d06297.fm

BRP-Rotax
ILLUSTRATED PARTS CATALOG

Chapter) 79-20-00
OIL TANK

FIG. & ITEM NO.	STATUS	PART NO.	INDENT	Description	Parts per Engine		
					912 iS	912 iSc Sport	912 iS Sport
1	1-12	656860	.1	OIL TANK ASSY. UNF	1a	1a	1a
	1-12	656865	.1	OIL TANK ASSY. METRIC	1b	1b	1b
	1	956426	..2	OIL TANK ASSY. WITH BAFFLE INSERT	1	1	1
	2	250010	..2	GASKET RING C 12x18	1	1	1
	3	241403	..2	HEX. SCREW M12x12	1	1	1
	4	656861	..2	PARTITION 2	1	1	1
	5	956204	..2	BAFFLE INSERT	1	1	1
	6	850491	..2	O-RING 145x6-N, HNBR 70	1	1	1
	7	n.a	..2	OIL TANK COVER ASSY. UNF	1	1	1
	7	n.a	..2	OIL TANK COVER ASSY. METRIC	1	1	1
	8	951817	..2	PROFILE CLAMP 163	1	1	1
	9	230150	..2	SEALING RING A 10x14	1	1	1
	10	641733	..2	PLUG SCREW M10x1	1	1	1
	11	956151	..2	OIL DIPSTICK	1	1	1
	12	974647	..2	OIL TANK COVER, WITHOUT VENTING	1	1	1
	13	297555	.1	SAFETY WIRE 0.8	1	1	1
	14	956610	.1	HOSE NIPPLE WITH UNION NUT	ARb	ARb	ARb
	15	956580	.1	BENT SOCKET	ARb	ARb	ARb
	16	853725	.1	CLAMP SP 17/9	4	4	4
	17	956390	.1	OIL TUBE OLNS 1 12x19	AR	AR	AR

- Items not illustrated

- a UNF thread size 3/4" - 16 UNF
- b metric thread M18 x 1.5 mm

d06297.fm

BRP-Rotax
ILLUSTRATED PARTS CATALOG

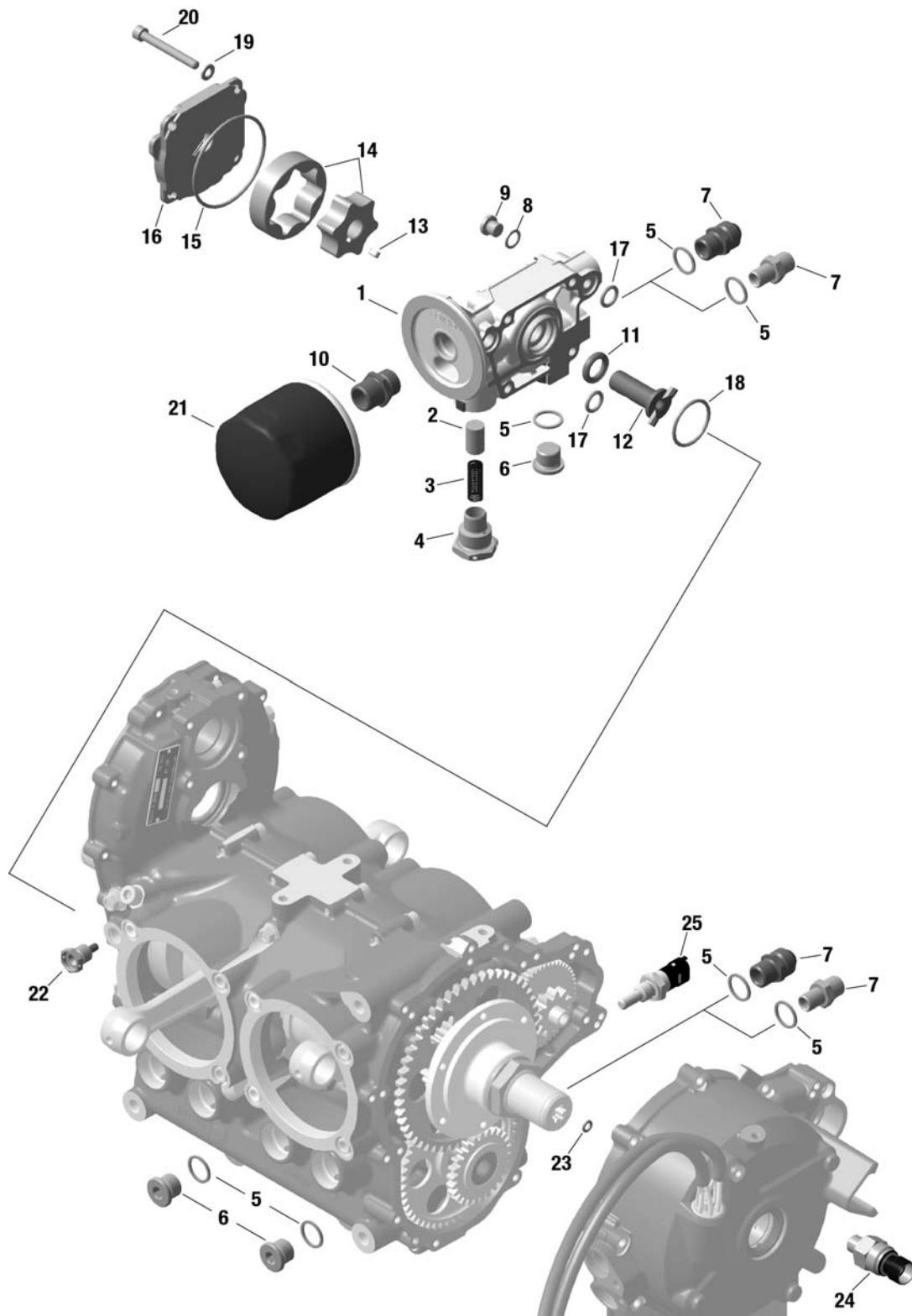


Fig. 79-20-00-2

08730

d06297.fm

BRP-Rotax

ILLUSTRATED PARTS CATALOG

Chapter) 79-20-00

OIL PUMP ASSY., OIL FILTER, OIL TEMPERATURE SENSOR, OIL PRESSURE SENSOR

FIG. & ITEM NO.	STATUS	PART NO.	INDENT	Description	Parts per Engine		
					912 iS	912 iSc Sport	912 iS Sport
2 1		811460	.1	OIL PUMPE HOUSING	1	1	1
2		856330	.1	REGULATING PISTON	1	1	1
3		838125	.1	COMPRESSION SPRING L65.6	1	1	1
4		640850	.1	PLUG SCREW M 22x1.5	1	1	1
5		430622	.1	SEALING RING A16x22	5	5	5
6		240234	.1	PLUG SCREW M16x1.5	3	3	3
7		956655	.1	ADAPTER M18x1.5 / M16x1.5	2	2	2
7		956652	.1	ADAPTER 3/4-16 UNF / M16x1.5	2	2	2
8		230150	.1	SEALING RING A 10x14	1	1	1
9		641733	.1	PLUG SCREW M10x1	1	1	1
10		924424	.1	OIL FILTER NIPPLE	1	1	1
11		430102	.1	OIL SEAL A 14x22x4 FPM	1	1	1
12		837292	.1	OIL PUMP SHAFT	1	1	1
13		246580	.1	KEY A 4x4x8	1	1	1
14		888821	.1	PRESSURE INNER AND OUTER ROTOR	1	1	1
15		830372	.1	O-RING 63-2.5	1	1	1
16		911713	.1	OIL PUMP COVER	1	1	1
17		250460	.1	O-RING 11-2.7	2	2	2
18		950410	.1	O-RING 30-2.5	1	1	1
19		827961	.1	WASHER 6.4	4	4	4
20		241761	.1	ALLEN SCREW M6x50	4	4	4
21	N s.v.	825016 825012	.1	OIL FILTER	1	1	1
22		241785	.1	MAGNETIC DRAIN PLUG M12x1.5	1	1	1

- Items not illustrated

d06297.fm

BRP-Rotax
ILLUSTRATED PARTS CATALOG

FIG. & ITEM NO.	STATUS	PART NO.	INDENT	Description	Parts per Engine		
					912 iS	912 iSc Sport	912 iS Sport
23		xxx	.1	O-RING 5x2-N, FPM 75 See chap. 24-20-00	1	1	1
24		664365	.1	PRESSURE SENSOR 10	1	1	1
25		965537	.1	TEMPERATURE SENSOR	1	1	1

- Items not illustrated

08730

d06297.fm

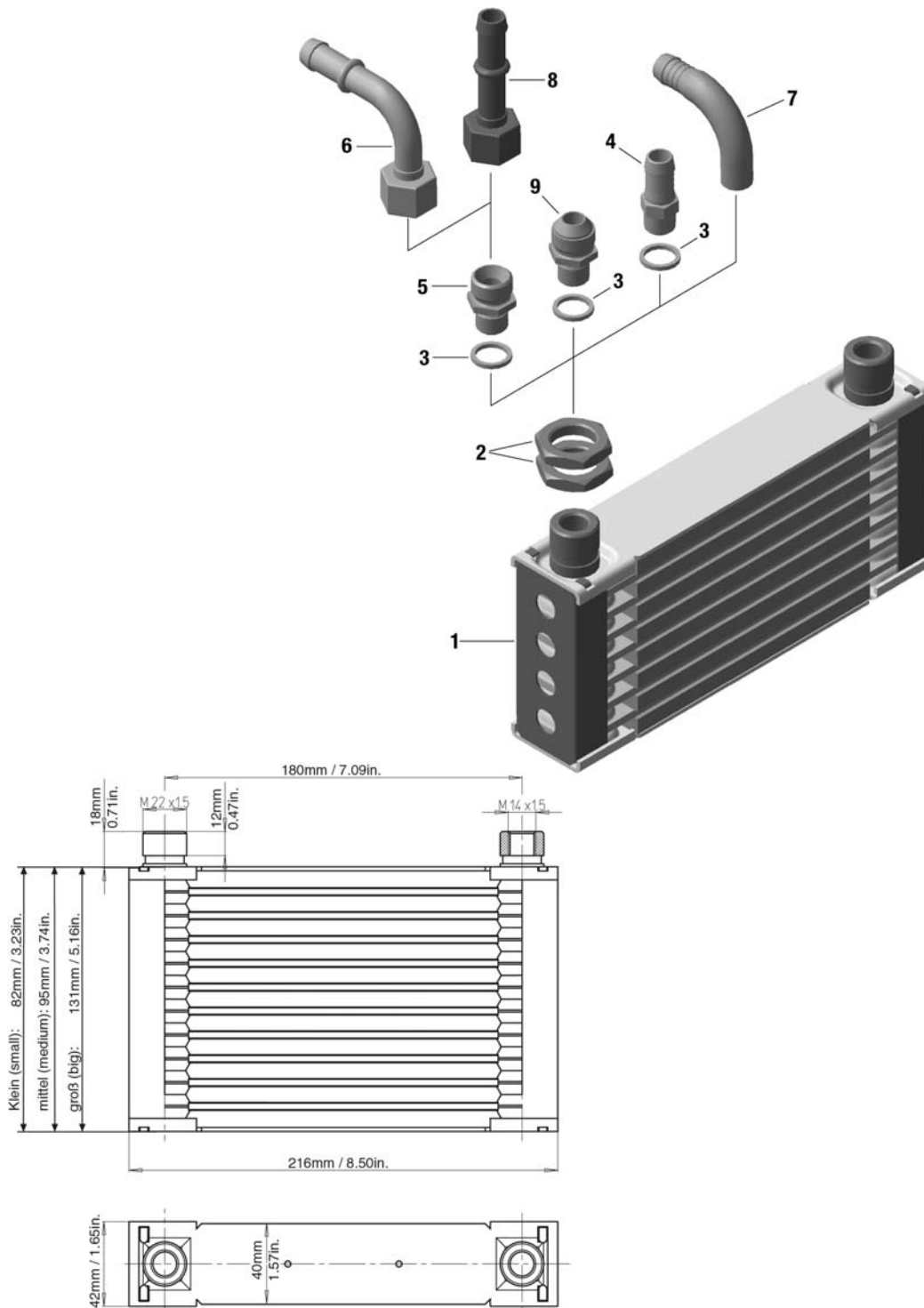
BRP-Rotax
ILLUSTRATED PARTS CATALOG

NOTES

d06297.fm

BRP-Rotax

ILLUSTRATED PARTS CATALOG



08900

Fig. 79-20-00-3

d06297.fm

BRP-Rotax

ILLUSTRATED PARTS CATALOG

Chapter) 79-20-00

OIL RADIATOR

BILD & POS. NR. FIG. & ITEM NO.	STATUS	TEILE NR. PART NO.	EINZUG INDENT	Beschreibung/Description	Teile pro Motortype /Parts per Engine		
					912 iS	912 iSc Sport	912 iS Sport
3	1-4	886032	.1	OIL RADIATOR SET	(1a)	(1a)	(1a)
	1-4	886033	.1	OIL RADIATOR SET	(1b)	(1b)	(1b)
	1-4	886034	.1	OIL RADIATOR SET	(1c)	(1c)	(1c)
	1-3,9	886036	.1	OIL RADIATOR SET UNF	(1cd)	(1cd)	(1cd)
1	N n.a.	886000 886022	.1	OIL RADIATOR	(1a)	(1a)	(1a)
1	N n.a.	886002 886023	.1	OIL RADIATOR	(1b)	(1b)	(1b)
1	N n.a.	886004 886024	.1	OIL RADIATOR	(1c)	(1c)	(1c)
2		242879	.1	HEX NUT M22x1.5	(4)	(4)	(4)
2,3,9		956645	.1	SCREW CONNECTION SET UNF	(1)	(1)	(1)
3,5,8		956615	.1	SCREW CONNECTION SET STRAIGHT	(1)	(1)	(1)
3,5,6		956585	.1	SCREW CONNECTION SET BENT	(1)	(1)	(1)
3		230387	.1	GASKET RING 14.2/18/2	(2)	(2)	(2)
4		840461	.1	NIPPLE 13.2/9.5-M14x1.5	(2)	(2)	(2)
5		956577	.1	ADAPTER M18x1.5/M14x1.5	(2)	(2)	(2)
6		956580	.1	BENT SOCKET ASSY.	(2)	(2)	(2)
7		924585	.1	ANGULAR TUBE M14x1.5	(2)	(2)	(2)
8		956610	.1	HOSE NIPPLE WITH UNION NUT	(2)	(2)	(2)
9		956643	.1	ADAPTER 3/4-16 UNF/M14x1.5	(2)	(2)	(2)

- Items not illustrated

- a Small. Cooling area 125 cm²/19.38 sq in
- b Middle. Cooling area 142 cm²/22 sq in
- c Big. Cooling area 234 cm²/36.27 sq in
- d Connection UNF

d06297.fm

BRP-Rotax
ILLUSTRATED PARTS CATALOG

NOTES

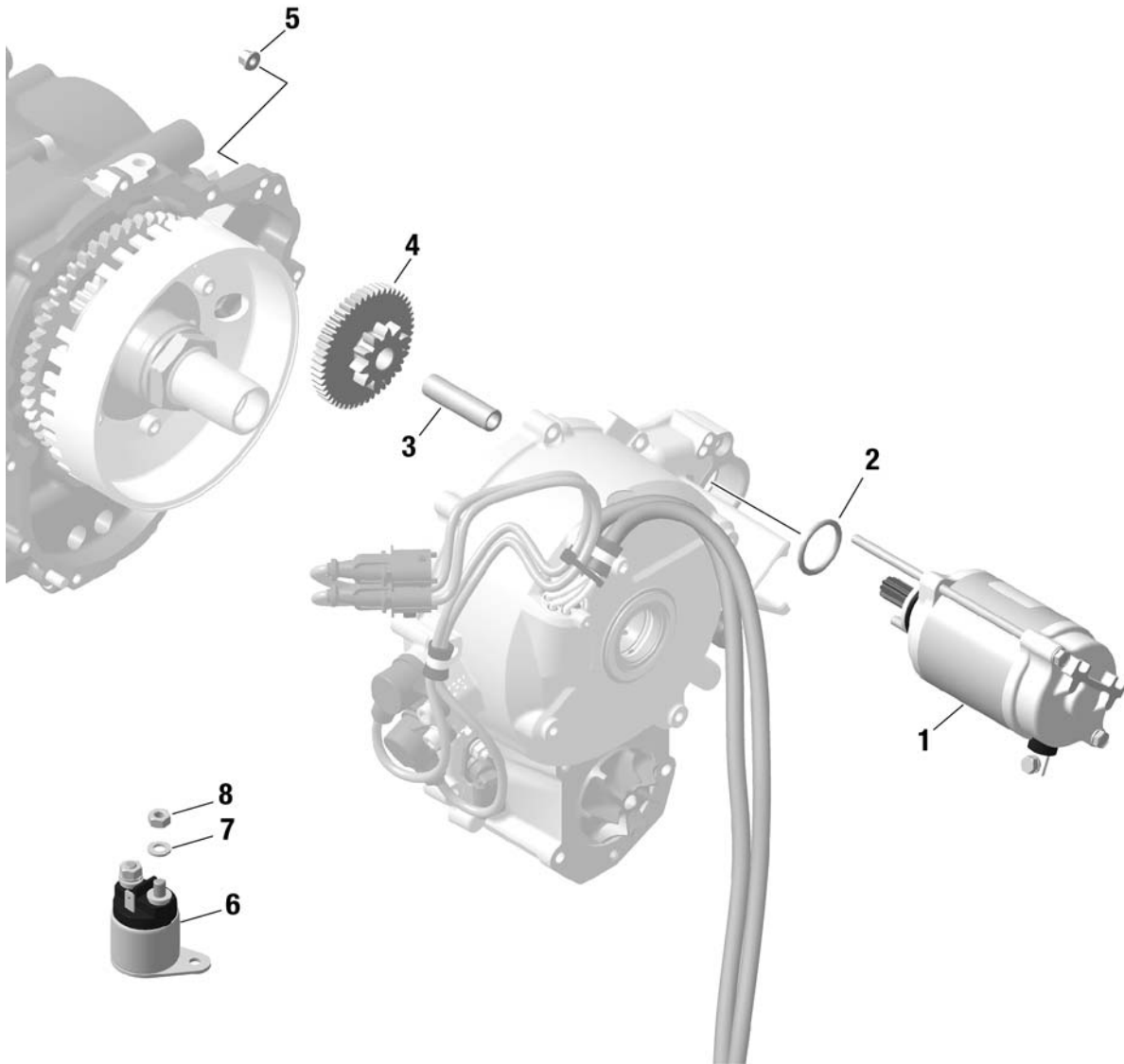
d06297.fm

BRP-Rotax
ILLUSTRATED PARTS CATALOG

NOTES

d06421.fm

BRP-Rotax
ILLUSTRATED PARTS CATALOG



AE 5iS_0227_a

Fig. 80-10-00-1

d06421.fm

BRP-Rotax
 ILLUSTRATED PARTS CATALOG
Chapter) 80-10-00
ELECTRIC STARTER, STARTER RELAY

FIG. & ITEM NO.	STATUS	PART NO.	INDENT	Description	Parts per Engine		
					912 iS	912 iSc Sport	912 iS Sport
1 1-2		685667	.1	ELECTRIC STARTER ASSY.	1	1	1
2		250140	..2	O-RING 24.4x3.1	1	1	1
3		837102	.1	IDLE GEAR SHAFT	1	1	1
4		834156	.1	IDLE GEAR 50/11 T	1	1	1
5		942311	.1	HEX. NUT M5	2	2	2
6-8		992818	.1	STARTER RELAY ASSY.	1	1	1
7		945751	.1	LOCK WASHER A6	2	2	2
8		242211	.1	HEX. NUT M6	2	2	2

- Items not illustrated

d06421.fm

BRP-Rotax
ILLUSTRATED PARTS CATALOG

NOTES

d06421.fm



Engine serial no.

Type of aircraft

Aircraft registration no.

ROTAX[®] authorized distributor

WWW.FLYROTAX.COM