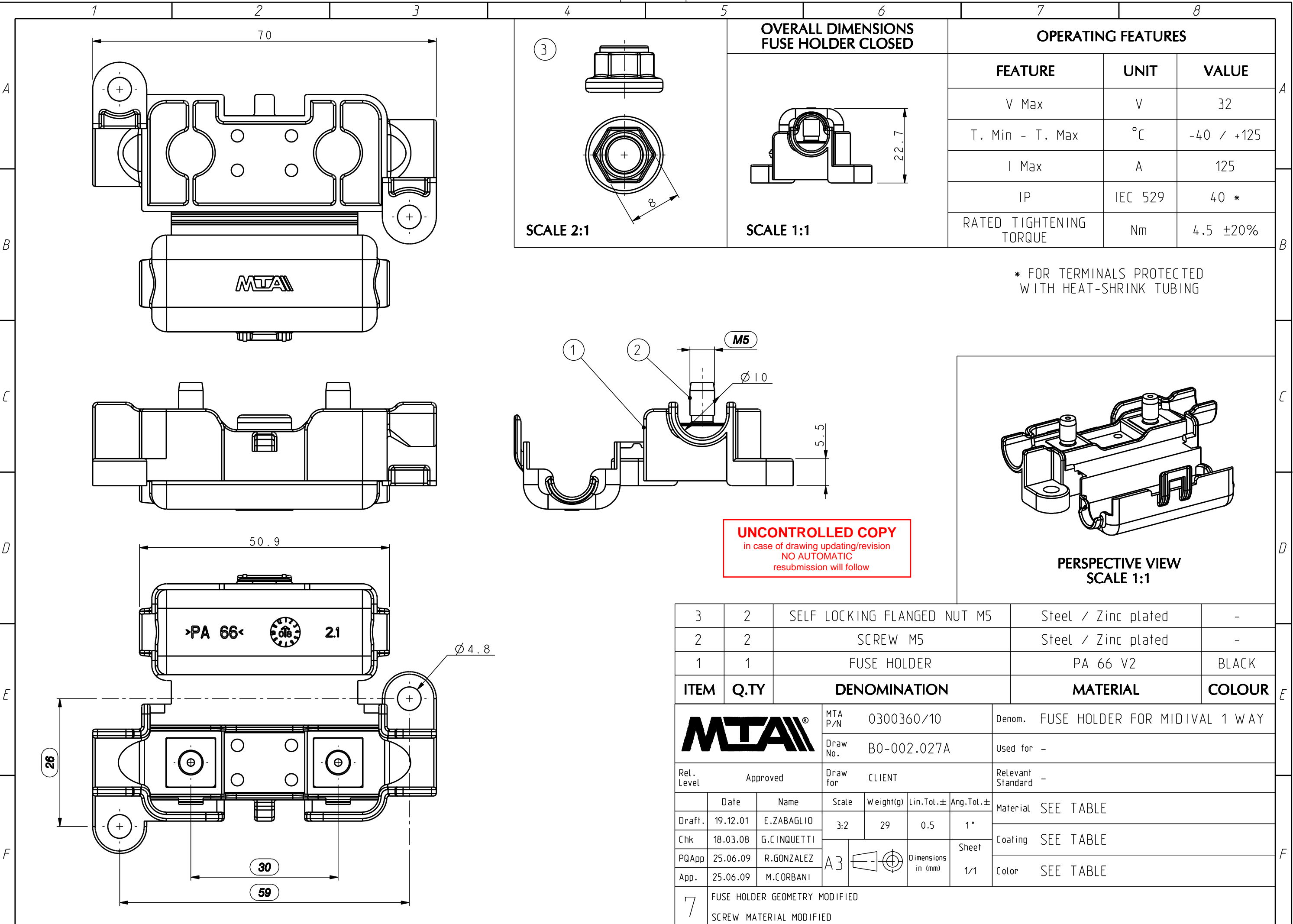


All proprietary rights reserved by MIA S.p.A. - This drawing shall not be reproduced, or in any way utilized, for the manufacture of the component or unit herein illustrated and must not be released to other parties, without written consent. Any infringement will be legally pursued.



**OVERALL DIMENSIONS
FUSE HOLDER CLOSED**

OPERATING FEATURES

FEATURE	UNIT	VALUE
V Max	V	32
T. Min - T. Max	°C	-40 / +125
I Max	A	125
IP	IEC 529	40 *
RATED TIGHTENING TORQUE	Nm	4.5 ±20%

* FOR TERMINALS PROTECTED WITH HEAT-SHRINK TUBING

UNCONTROLLED COPY
 in case of drawing updating/revision
 NO AUTOMATIC
 resubmission will follow

ITEM	Q.TY	DENOMINATION	MATERIAL	COLOUR
3	2	SELF LOCKING FLANGED NUT M5	Steel / Zinc plated	-
2	2	SCREW M5	Steel / Zinc plated	-
1	1	FUSE HOLDER	PA 66 V2	BLACK

MTA	MTA P/N	0300360/10	Denom. FUSE HOLDER FOR MIDIVAL 1 WAY						
	Draw No.	B0-002.027A	Used for -						
Rel. Level	Approved	Draw for	CLIENT	Relevant Standard -					
	Date	Name	Scale	Weight(g)	Lin.Tol.±	Ang.Tol.±	Material	SEE TABLE	
Draft.	19.12.01	E.ZABAGLIO	3:2	29	0.5	1°		Coating	SEE TABLE
Chk	18.03.08	G.CINQUETTI	A3	⊕	⊕	⊕	Sheet	Color	SEE TABLE
PQApp	25.06.09	R.GONZALEZ						Dimensions in (mm)	1/1
App.	25.06.09	M.CORBANI							

No.	Reason for Revision	Date	Name
7	FUSE HOLDER GEOMETRY MODIFIED SCREW MATERIAL MODIFIED	18.03.08	M.VIGNATI