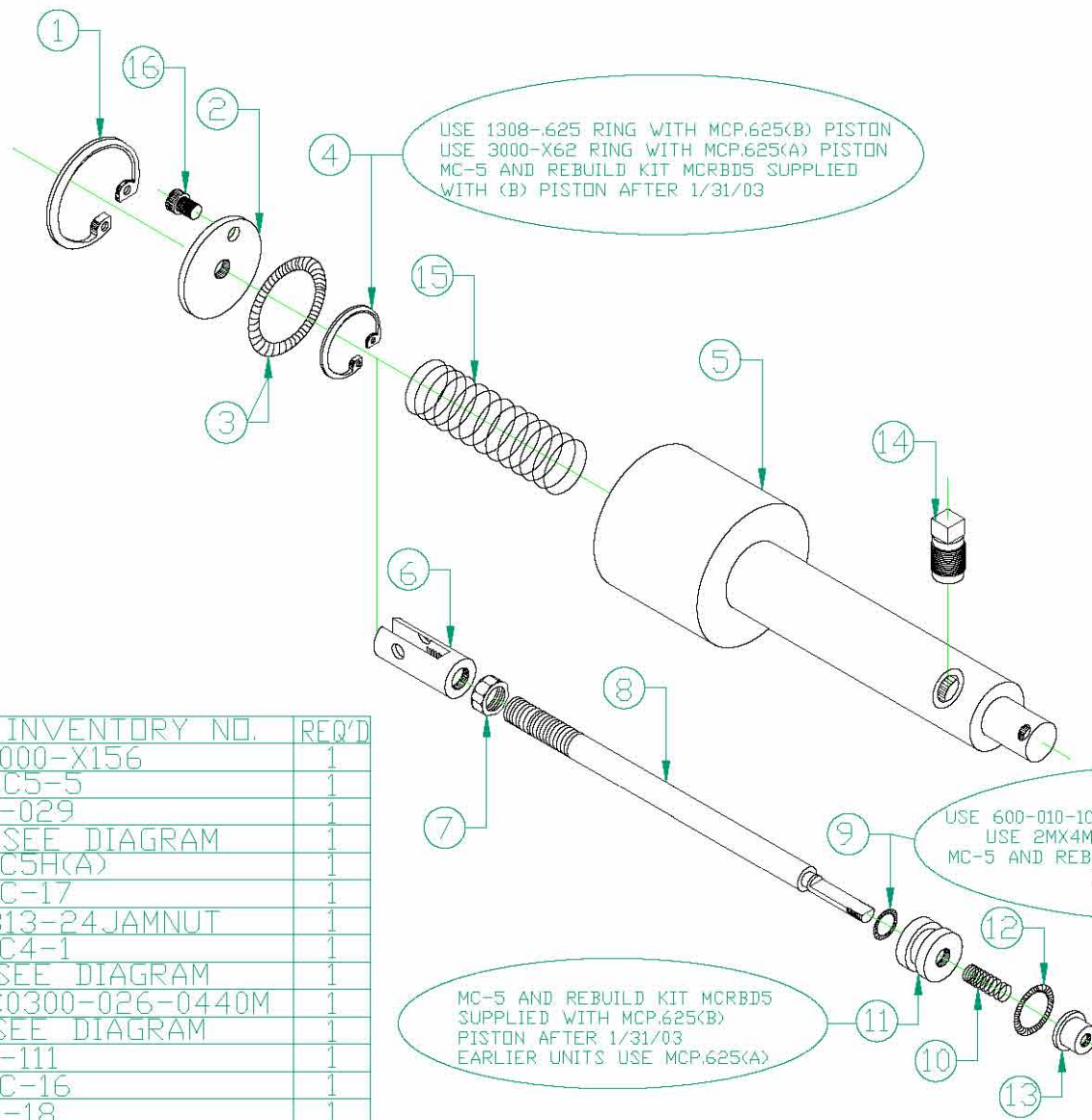


USE MIL-H-5606 HYDRAULIC FLUID



NO.	PART NAME	INVENTORY NO.	REQ'D
1	SNAP RING	3000-X156	1
2	RESERVOIR COVER	MC5-5	1
3	O-RING BUNA N	2-029	1
4	SNAP RING, MC-5	SEE DIAGRAM	1
5	MC-5 HOUSING	MC5H(A)	1
6	CLEVIS	MC-17	1
7	JAMNUT	.313-24JAMNUT	1
8	SHAFT	MC4-1	1
9	O-RING OR STATOSEAL	SEE DIAGRAM	1
10	SPRING, VALVE	C0300-026-0440M	1
11	PISTON	SEE DIAGRAM	1
12	O-RING BUNA N	2-111	1
13	SPRING GUIDE	MC-16	1
14	THREADED PLUG	P-18	1
15	SPRING, MC-4	C0480-055-3000M	1
16	SHCS	10-24X.31SHCS	1