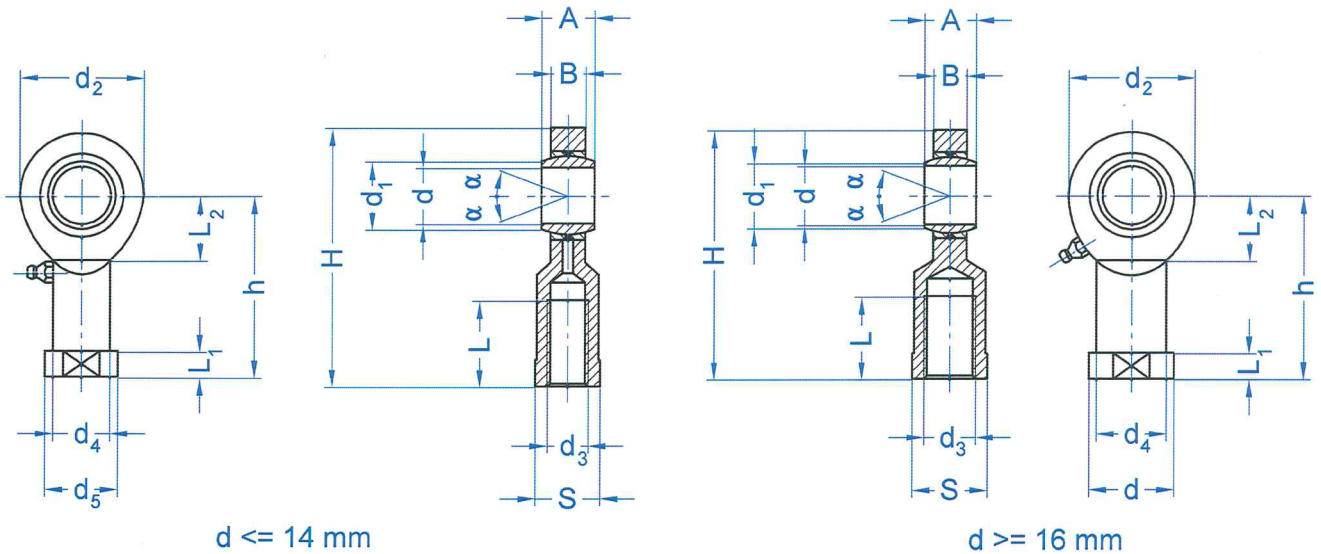


GMV Terminali a snodo

Rilubrificabili

Din 648 - Serie K - ISO 6126

Accoppiamento: Acciaio - Bronzo



Equivalente INA: GIKFR...PB SKF: SIKAC...M

Sigla	d	d ₁ min	A max	B	d ₂ max	d ₃	d ₄ max	d ₅	h	H max	L min	L ₁ max	L ₂	S	C Dyn. KN	C Static KN	α° ≈	Peso Kg
SIBP 5 S	5	7.7	8	6.00	18	M 5x0.8	9.0	11	27	35	14	4.0	10	9	1.3	4.1	13	0.016
SIBP 6 S	6	9.0	9	6.75	20	M 6x1	10.0	13	30	39	14	5.0	11	11	1.6	5.3	13	0.026
SIBP 8 S	8	10.4	12	9.00	24	M 8x1.25	12.5	16	36	47	17	5.0	13	14	3.1	9.2	14	0.044
SIBP 10 S	10	12.9	14	10.50	30	M 10x1.5	15.0	19	43	56	21	6.5	15	17	4.0	12.0	14	0.072
SIBP 10.1 S	10	12.9	14	10.50	30	M 10x1.25	15.0	19	43	56	21	6.5	15	17	4.0	12.0	14	0.072
SIBP 12 S	12	15.4	16	12.00	34	M 12x1.75	17.5	22	50	65	24	6.5	17	19	5.6	17.0	13	0.108
SIBP 12.1 S	12	15.4	16	12.00	34	M 12x1.25	17.5	22	50	65	24	6.5	17	19	5.6	17.0	13	0.108
SIBP 14 S	14	16.9	19	13.50	38	M 14x2	20.0	25	57	74	27	8.0	18	22	7.2	22.0	16	0.161
SIBP 16 S	16	19.4	21	15.00	42	M 16x2	22.0	27	64	83	33	8.0	23	22	9.3	28.0	15	0.225
SIBP 16.1 S	16	19.4	21	15.00	42	M 16x1.5	22.0	27	64	83	33	8.0	23	22	9.3	28.0	15	0.225
SIBP 18 S	18	21.9	23	16.50	46	M 18x1.5	25.0	31	71	92	36	10.0	25	27	11.0	34.0	15	0.295
SIBP 20 S	20	24.4	25	18.00	50	M 20x1.5	27.5	34	77	100	40	10.0	26	30	13.0	40.0	15	0.382
SIBP 22 S	22	25.8	28	20.00	52	M 22x1.5	30.0	37	84	109	43	12.0	29	32	21.0	50.0	15	0.488
SIBP 25 S	25	29.6	31	22.00	60	M 24x2	33.5	42	94	124	48	12.0	32	36	26.7	63.0	15	0.749
SIBP 28 S	28	32.3	35	25.00	66	M 27x2	37.0	46	103	136	53	12.0	34	41	28.0	81.0	15	0.949
SIBP 30 S	30	34.8	37	25.00	70	M 30x2	40.0	50	110	145	56	15.0	37	41	28.0	86.0	17	1.130

Per filettatura sinistrosa sigla Si (L) BP...S